



03/31/2026

SH137132



Quote

To: Christian County Schools #602788
 Rosa Robinson
 200 Glass St
 Hopkinsville, KY 42240
 (270) 887-7009 (Contact)
 rosa.robinson@christian.kyschools.us

From: HPS
 Sarah Hall
 3275 N M-37 Highway
 Middleville, MI 49333
 800-632-4572 (Contact)
 shall@hpsnet.com

Project: Christian County Schools #602788
 200 Glass St
 Hopkinsville, KY 42240

"Invoices paid with credit card are subject to a 3% processing fee"

Item	Qty	Description	Sell	Sell Total
1	1 ea	 TRAY RACK DISPENSER Delfield TT-1014 Dispenser, Tray, open frame mobile design, single self-leveling tray platform, for 11" x 15" trays, 4" casters, NSF Dimensions 37.75(h) x 21.25(w) x 15.25(d)	\$2,833.69	\$2,833.69
	1 ea	0460000N 1 year parts & labor warranty, standard Weight: 102 lbs total		
			Extended Total:	\$2,833.69
2	4 ea	 TRAY RACK DISPENSER Delfield TT2-1014 Dispenser, Tray, open frame mobile design, dual self-elevating tray platforms, for 11" x 15" trays, 4" casters, NSF Dimensions 37.75(h) x 21.25(w) x 26.75(d)	\$3,504.08	\$14,016.32
	4 ea	0460000N 1 year parts & labor warranty, standard Weight: 452 lbs total		
			Extended Total:	\$14,016.32

Item	Qty	Description	Sell	Sell Total
3	1 ea *		\$1,011.00	\$1,011.00
		Delfield FREIGHT ESTIMATED		
	1 ea	LIFT GATE If lift gate delivery is required add	\$158.00	\$158.00
			Extended Total:	\$1,169.00
			Total	\$18,019.01

Thank you for the opportunity to provide this quote for you. Please contact me if you have any questions, need more information or would like to place an order.

Sarah Hall
HPS Customer Service
shall@hpsnet.com

* PRICING SUBJECT TO MANUFACTURER'S PRICE INCREASES.

FREIGHT IS NOT INCLUDED IN THE ABOVE QUOTE UNLESS OTHERWISE SPECIFIED

NOTE: PLEASE KEEP IN MIND THAT INSIDE DELIVERY IS NOT INCLUDED WITH ANY FREIGHT ESTIMATES. YOU WILL BE CHARGED A FEE IF DELIVERY DRIVER "OFFERS" TO BRING ITEM(S) INSIDE AND FACILITY ACCEPTS, EVEN IF DRIVER DOES NOT MAKE YOU AWARE OF ANY FEE'S INVOLVED. IF WE GET CHARGED, IT WILL BE ADDED TO YOUR FREIGHT AT TIME OF INVOICE.

Please verify all Dimensions and any Voltage & Phase or any Gas types before placing an order. Verify equipment will fit through all doorways and sufficient turning room exists at all points along route to final destination inside building.

CAREFULLY INSPECT YOUR SHIPMENT. ENSURE ALL ITEMS ARE ACCOUNTED FOR AND HAVE NO DAMAGE. When your shipment arrives, it is very important that it be completely inspected before anyone signs the delivery receipt. If any damage is discovered, it must be noted on the delivery receipt. Do not let anyone, even the driver, rush you through your inspections. In the event that there is freight damage, it is crucial that this be noted on the delivery receipt, or any resultant claim will be denied.

PRICE INCREASES / AVAILABILITY / LEAD TIMES

This quote is based upon the manufacturer's current published price list.

Freight delays and/or periodic shortages of raw materials and parts due to the worldwide pandemic may result in extended lead times and increased cost after your order is placed, which is out of our control.

HPS cannot be held responsible for any manufacturer cost increases or production delays to orders. We will communicate with you as soon as we are notified should any changes occur.

Acceptance: _____ Date: _____

Printed Name: _____

TT/TT2

Mobile Open Frame Tray And Rack Dispensers

TT/TT2

Mobile Open Frame Tray And Rack Dispensers

Models

- TT-1014 One stack, 11"x15" trays
- TT2-1014 Two stack, 11"x15" trays
- TT2-1826 Two stack, 18"x26" trays



TT-1014

Standard Features

- Tubing and base to be 16-gauge stainless steel
- Tubing and base to be integrally welded
- Base to be reinforced with 14-gauge stainless steel angles
- Non-marring gray corner bumpers
- (4) 4.00" diameter Polyurethane swivel casters (all locking)
- Dispenser platform carrier shall be 18-gauge stainless steel
- Self-leveling mechanisms shall be adjustable by adding and removing stainless steel extension springs located inside the elevator housing
- Each dispenser section holds approximately 50-60 trays (varies per tray style)
- One year parts and 90 day labor standard warranty

Options & Accessories

- Flange-mount feet in lieu of casters
- Napkin dispensers
- Six- or eight-hole silverware bins with plastic or stainless steel cylinders
- Wrap-around bumpers (adds 1.75" [4.4cm] to overall length and depth)
- Dust cover

Specifications

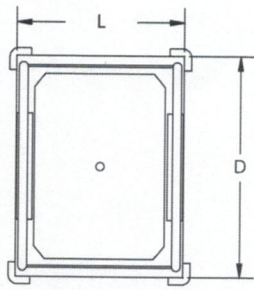
Framework shall be integrally welded 1.00" (2.5cm) O.D. 16-gauge stainless steel tubing welded to a 16-gauge stainless steel base. Frame shall have stainless steel horizontal support rods affixed to the tubing. Base shall be reinforced with full-length 14-gauge stainless steel angles.

Casters: Unit shall have four 4.00" (10.2cm) diameter Polyurethane swivel casters (all locking) (5.00" [12.7cm] ride height) and non-marking gray bumpers at each corner.

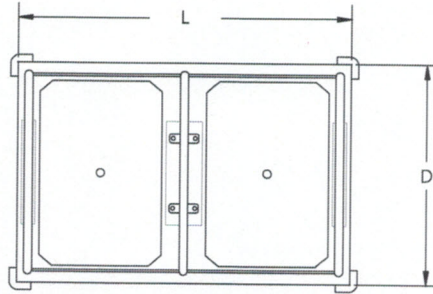
Dispenser platform carries shall be 18-gauge stainless steel and shall be removable for cleaning. Each dispenser shall have 2 self-leveling mechanisms.

Self-leveling mechanisms shall be field adjustable by adding or removing stainless steel extension springs located inside the elevator housing.

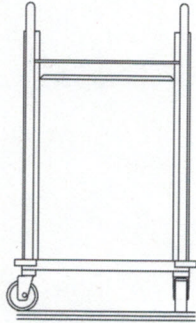




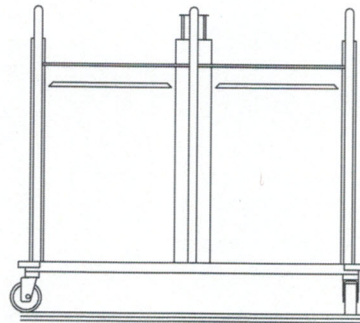
**Plan View
TT Models**



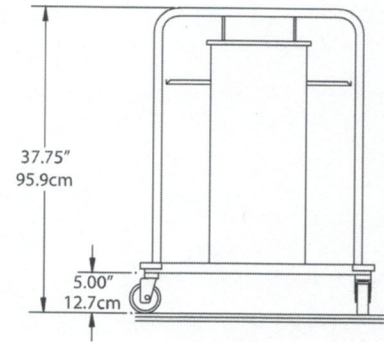
**Plan View
TT2 Models**



**Elevation View
TT Models**



**Elevation View
TT2 Models**



**Right End View
All TT & TT2 Models**

Specifications

Model	Length	Depth	Maximum Tray Size	Ship Weight
TT-1014	21.25" (54.0cm)	15.25" (38.7cm)	11" x 15" (27.9cm x 38.1cm)	102lbs/46kg
TT2-1014	21.25" (54.0cm)	26.75" (67.9cm)	11" x 15" (27.9cm x 38.1cm)	113lbs/51kg
TT2-1826	48.50" (123.2cm)	30.75" (78.1cm)	18" x 26" (45.7cm x 66.0cm)	179lbs/81kg

NOTES:

- Standard corner bumpers add 1.75" (4.4cm) to overall length and width.
- TT2 models dispense two separate stacks of trays.

Mobile Open Frame Tray And Rack Dispensers

TT/TT2

Delfield reserves the right to make changes to the design or specifications without prior notice.