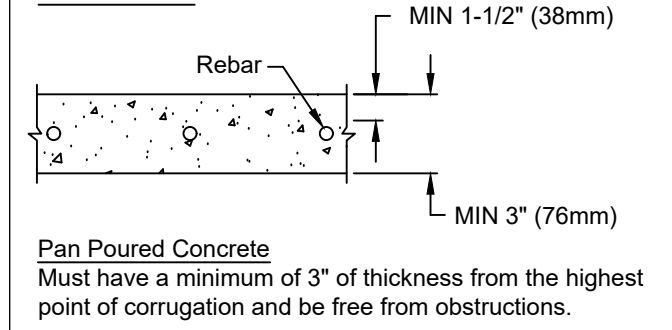


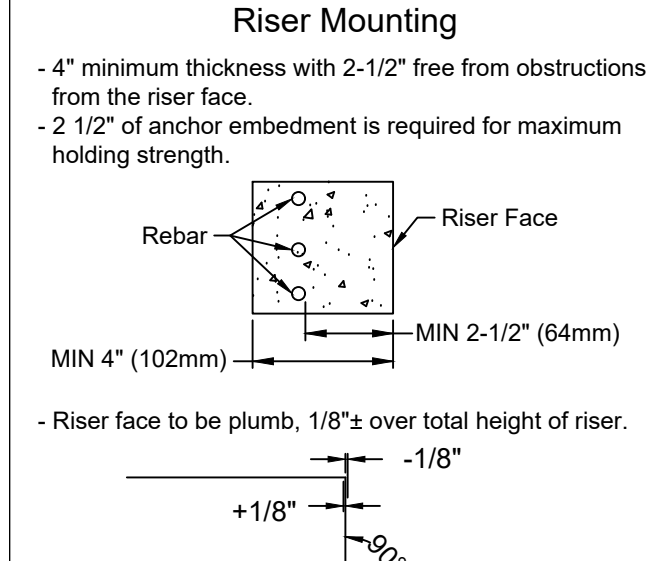
Floor Construction
 Failure to meet minimum floor requirements could require alternate fastening methods, including additional installation labor, parts, and time. Extra costs are not the responsibility of Irwin Seating Company. In addition, the installation fastener warranty may be voided.

Minimum Concrete Floor Requirements
 New Concrete:
 - Concrete must have minimum compressive strength of 3000 psi.
 - Structural light weight concrete requires a minimum of 5000 psi with a dry weight of 90-115 lbs per cubic foot.
 Pre-existing / Old concrete:
 - Concrete should be tested to verify that minimum requirements can be met.
 - Please contact Irwin Seating Company if assistance is needed.

Floor Mounting
 - 3" minimum thickness with a surface 1-1/2" free of rebar.
 - 2" of anchor embedment is required for maximum holding strength.
 - Concrete floors to be smooth (free from dips).
 Standard Floor:
 Rebar: MIN 1-1/2" (38mm)
 Pan Poured Concrete: MIN 3" (76mm)
 Steel Deck: MIN 3" (76mm)



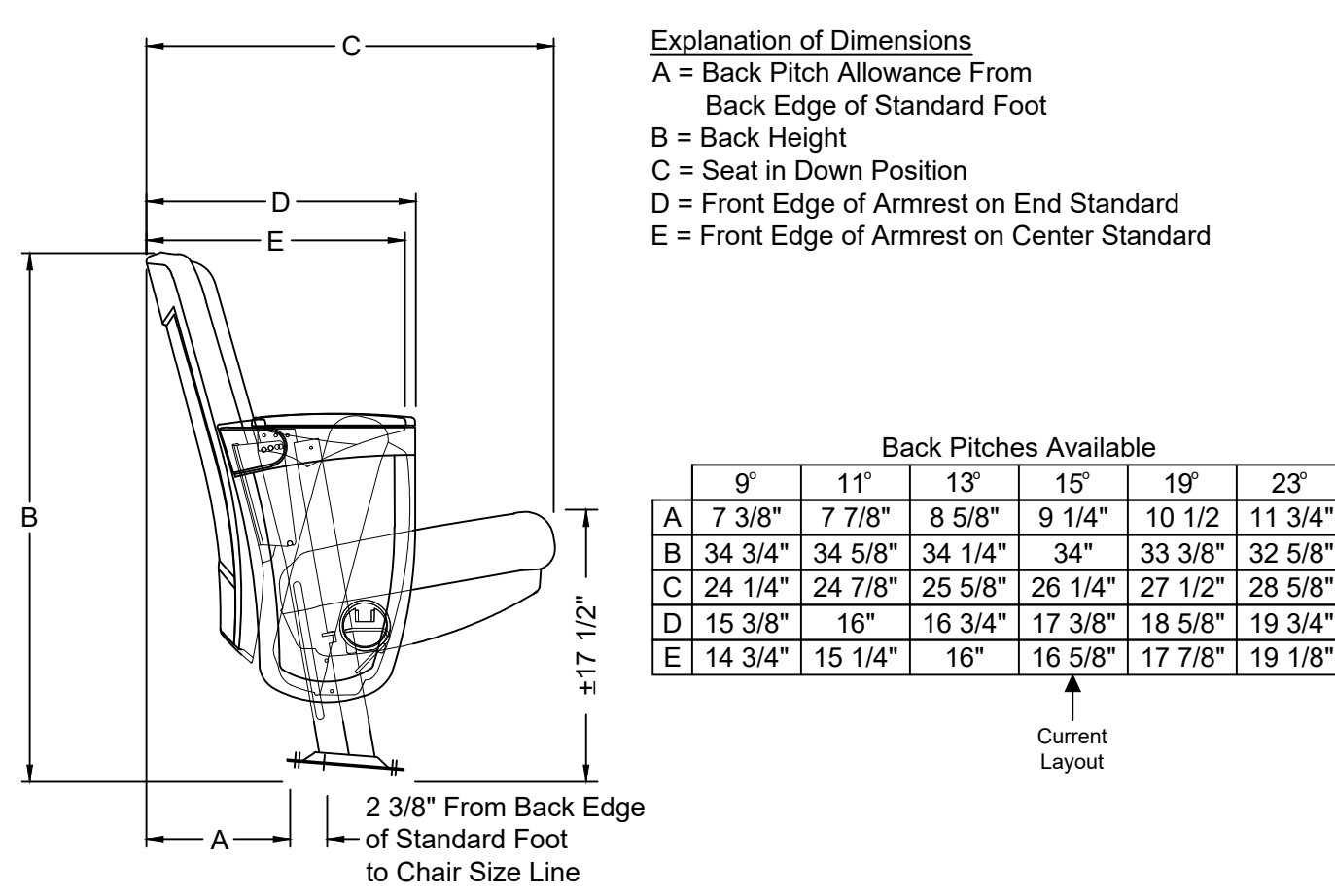
Riser Mounting
 - 4" minimum thickness with 2-1/2" free from obstructions from the riser face.
 - 2 1/2" of anchor embedment is required for maximum holding strength.
 Riser Face:
 Rebar: MIN 4" (102mm)
 Steel Deck: MIN 2-1/2" (64mm)



Anchor Attachment Hardware
 See Irwin Seating Company installation and user manual.

Note:
 Fillets or chamfers at riser corners could interfere with the use of standard product riser mount chairs. If riser conditions vary from detail shown above, contact Irwin Seating Company.

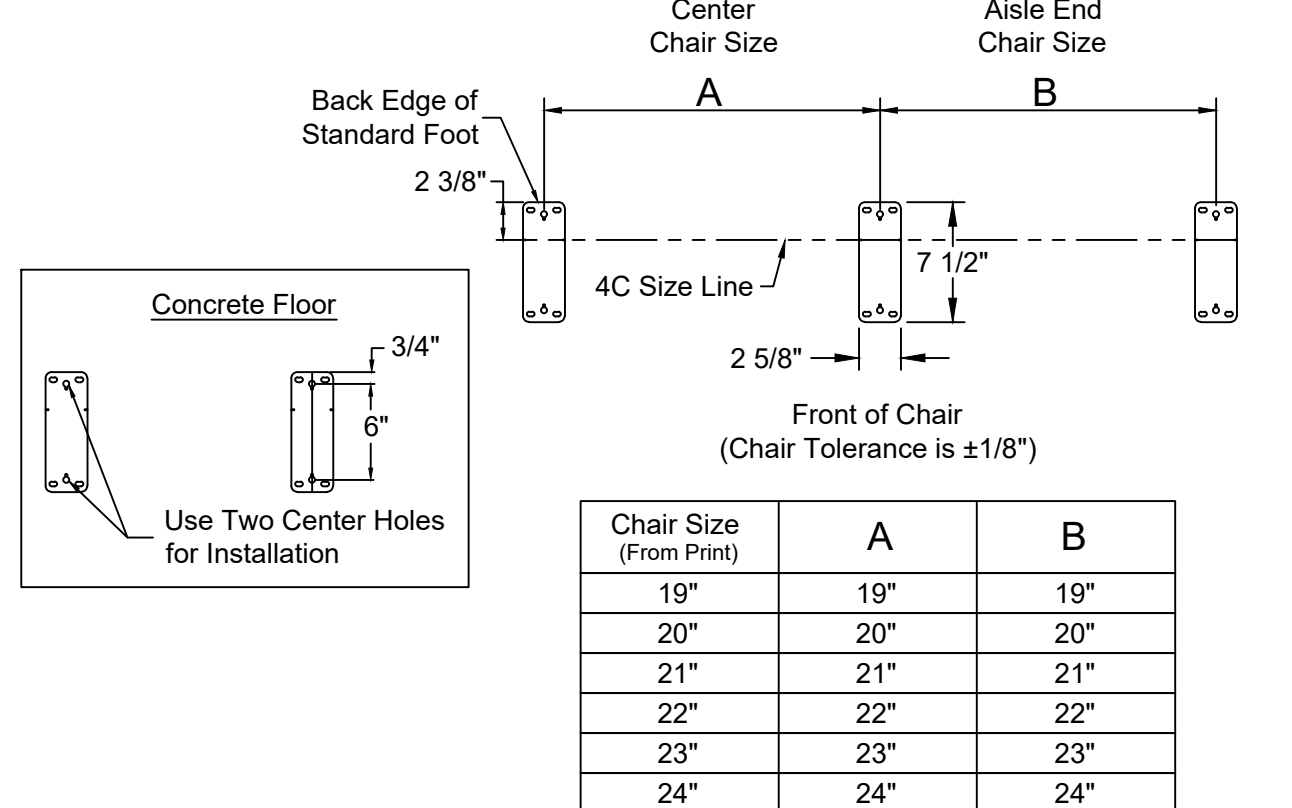
90.12.10.4 - Citation Floor Mount Chairs
 Full Fold Seat
 Curved Wood Aisle Armrests
 Curved Wood Center Armrests



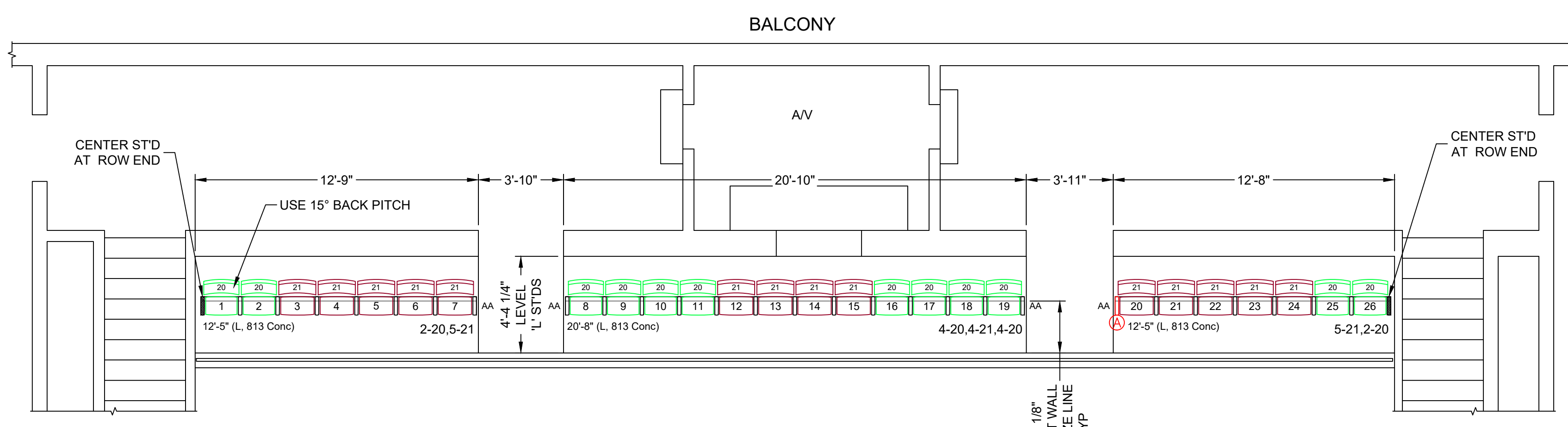
Back Pitches Available

	9"	11"	13"	15"	19"	23"
A	7 3/8"	7 7/8"	8 5/8"	9 1/4"	10 1/2"	11 3/4"
B	34 3/4"	34 5/8"	34 1/4"	34"	33 3/8"	32 5/8"
C	24 1/4"	24 7/8"	25 5/8"	26 1/4"	27 1/2"	28 5/8"
D	15 3/8"	16"	16 3/4"	17 3/8"	18 5/8"	19 3/4"
E	14 3/4"	15 1/4"	16"	16 5/8"	17 7/8"	19 1/8"

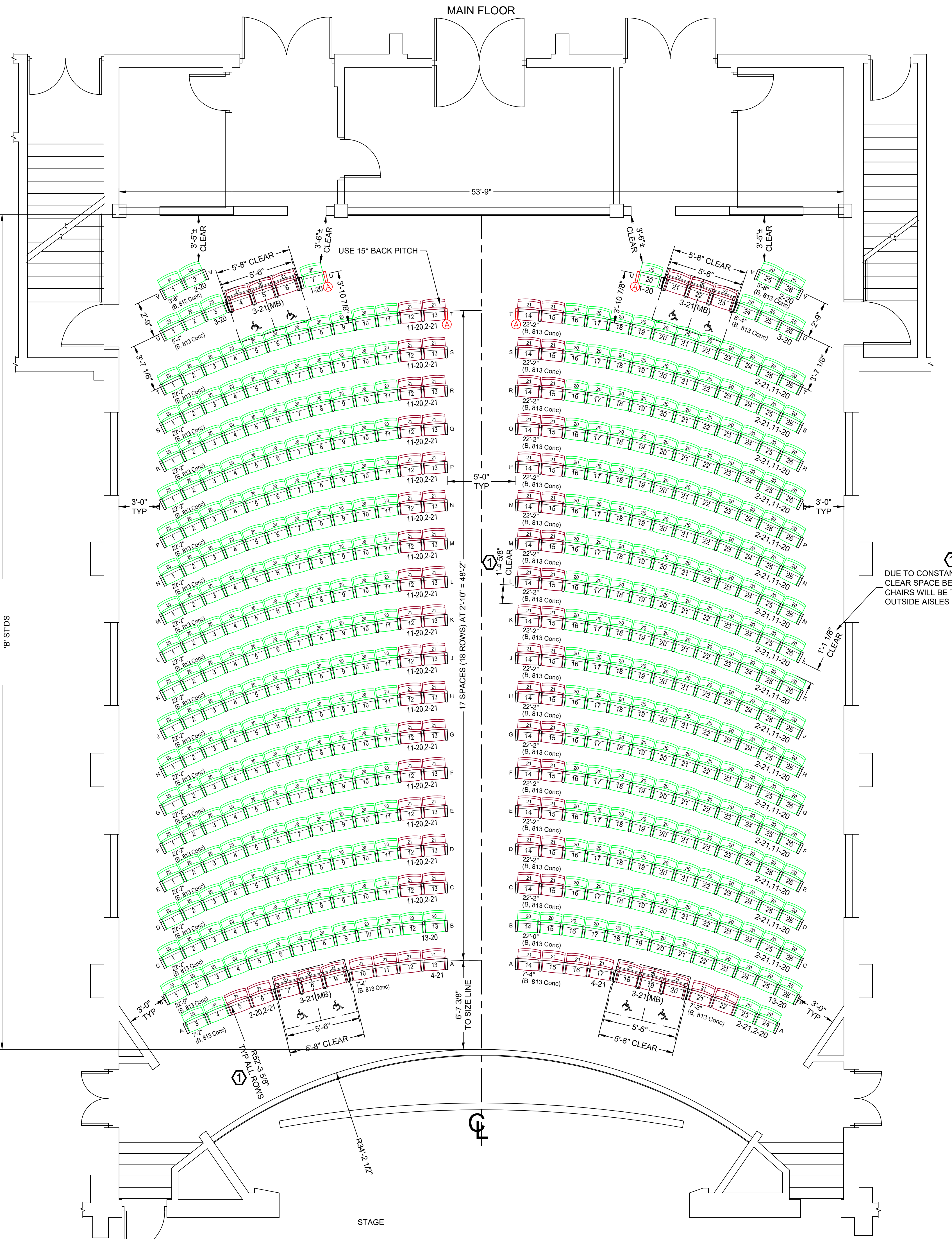
4C Drill Template
 Floor Mount - 813 Foot
 (4E End - All Chair Sizes)



END STANDARD END ALLOWANCES:
 2" FOR EACH END STANDARD

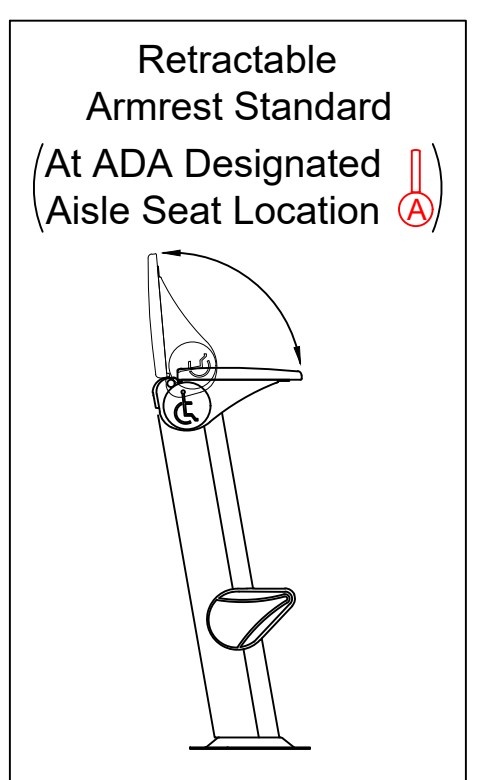


Balcony Chair Summary
 90.12.10.4
 Floor Mount
 20" Chairs - 12
 21" Chairs - 14
 Total - 26



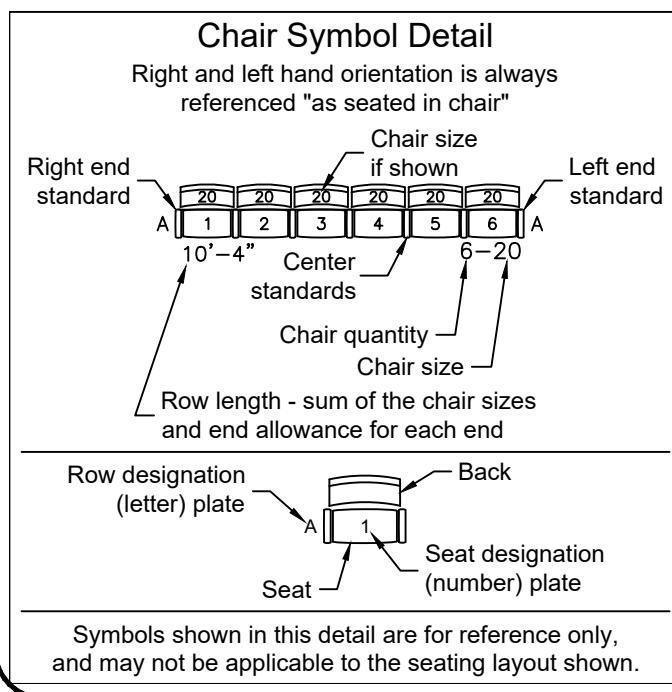
Main Floor Chair Summary
 90.12.10.4
 Floor Mount
 20" Chairs - 394
 21" Chairs - 88
 Total - 482

Spare Parts:
 3 - Spare Chairs



ACCESSORY LEGEND

Symbol	Accessory Description	Qty
	Row Tags: LP8 2" Rd. Alum. - End Panel	Per Print
	Seat Tags: LPS Oval Alum. - Seat	Per Print
(A)	ADA Designated Aisle Seat (With Retractable Armrest)	5
(MB)	Movable Bases: 4 Triple	12



Irwin.
 3251 Fruit Ridge Ave. NW
 Grand Rapids, MI 49544
 Phone: 866-GOIRWIN
 www.irwinseating.com

Compliance with the required Local, National Building, ADA, and Safety Codes is the exclusive responsibility of the owner/architect/contractor. Seating layout drawings are based on code requirements for assembly seating as found in International Building Code(IBC) and ADA code. Code information above is offered for informational purposes only. Irwin Seating Company takes no responsibility for code interpretation or compliance.

Release / Revision

Release / Revision	By	Date
A Initial release	JD	12/11/23
B Per new information received	JD	12/19/23
C Delete center aisle/low spacing/474 chairs	TK	1/19/24
D Delete chairs in the last two rows	TK	1/28/24
E Rev to add wheelchair platforms and movable bases	TK	2/14/24
F Per new CAD file received	DBA	4/09/24

Grand Total Chair Summary
 90.12.10.4
 Floor Mount
 20" Chairs - 406
 21" Chairs - 102
 Total - 508

Project Notes:
 All rows use the same radius per plan received. Row spacing will be tighter at outside end of rows than at inside end of rows. See seating plan for clear space dimensions.
 ADA designated aisle seats with retractable armrest are shown at suggested locations for ADA code compliance. Please review and advise.
 Chair number/letter scheme shown is suggested. Customer may request an alternate scheme. Note letters "I" and "O" currently are not used in row lettering scheme shown.
 Movable bases are shown at wheelchair areas per plan received. Note chairs on movable bases will be slightly higher than chairs that are not on movable bases.
 Chair quantity shown is per plan received. Note current row lengths on seating plan will not allow 19" chairs to be added to the rows to increase chair quantity.
 Wheelchair spaces are shown per plan received. Note all wheelchairs should be on level floor.

Preliminary
 Design intent of chairs is to be mounted to Concrete

ANCHORAGE PUBLIC SCHOOL
 LOUISVILLE, KY

Originated By: Jeff Dilling
 Contact Information: jeff.dilling@irwinseating.com
 Phone: (616) 574-7491

Project Number: **P44861**
 Scale: None
 Sheet: 1 of 1