



# Quote

1/26/2024

**To:**  
 Russellville Independent  
 Christina Dowlen  
 355 S. Summer St.  
 Russellville, KY 42276  
 270-726-8405 1014 (Contact)

**Project:**  
 RUSSELLVILLE ELEM - Vollrath



**From:**  
 Manning Brothers  
 Stacey Landfield  
 210 Sandy Creek Road  
 Athens, GA 30607  
 (706) 549-7088  
 859-396-4443 (Contact)


Visit us online at [www.manningbrothers.com](http://www.manningbrothers.com)

The order qualifies for \$3850 in FREE GOODS  
[www.vollrathco.com](http://www.vollrathco.com)

Item	Qty	Description	Sell	Sell Total
1	1 ea	<b>HOT FOOD SERVING COUNTER / TABLE</b> Vollrath Model No. 37050 4-Series Signature Server® Hot Food Serving Counter, 74"W x 28"D x 34"H, 18/300 stainless steel top with 1" turndown on all sides, (5) 12" x 20" x 6-3/8" deep wells with 625 watt elements, individual Touch-Temp® programmable controls, enclosed base, 18/400 series stainless steel unibody construction, manifold drains, pull-out ball valve drain, 3125 watts, cord, plug, cULus, NSF, Made in USA (Refer to <a href="http://vollrathfoodservice.com">vollrathfoodservice.com</a> for full warranty policy)	\$6,181.00	\$6,181.00
	1 ea	1 year warranty against defects in materials & workmanship		
	1 ea	208v/60/1-ph		
	1 ea	STANDARD BLACK Black Laminate, standard, nc		
	1 ea	37323 Double Deck Classic Cafeteria Breath Guard, for 74"W 4-Series Signature Server®, stainless steel uprights & 18"H x 12"D top shelf, acrylic mid-shelf, (2) position (open/close) adjustable sloped-front acrylic panels framed in stainless steel channel, both levels (does not meet NSF for sneeze protection) NOTE: When ordered with heat strip option, mid-shelf becomes stainless steel (Refer to <a href="http://vollrathfoodservice.com">vollrathfoodservice.com</a> for full warranty policy)	\$2,541.00	\$2,541.00
	1 ea	NO LIGHT OR HEAT No lights or heating, standard, no charge		
	1 ea	3751450-2-O Operator Side- Plate Rest - with lift-off bracket, ADA 4-Series Signature Server® with Stainless Steel Countertops, 74"W x 7"D (Refer to <a href="http://vollrathfoodservice.com">vollrathfoodservice.com</a> for full warranty policy)	\$713.00	\$713.00



Item	Qty	Description	Sell	Sell Total
	1 ea	3752450-2-C 4-Series Signature Server® V-rib Tray Slide, for customer side, 74"W x 12"D, fold-down/lift-off brackets (Refer to vollrathfoodservice.com for full warranty policy)	\$881.00	\$881.00
	1 ea	36939 Open Storage Module, for 74"W 4-Series Signature Server®, 16-1/2"H opening (opening width depends on unit type), stainless steel (Refer to vollrathfoodservice.com for full warranty policy)	\$1,123.00	\$1,123.00
	1 st	SS4CASTERS 4-Series Signature Server® Swivel Casters, 4"H, (2) braked, standard		
			<b>ITEM TOTAL:</b>	<b>\$11,439.00</b>
2	1 ea	<b>SERVING COUNTER, COLD FOOD</b> Vollrath Model No. 37065 4-Series Signature Server® with Stainless Steel Countertops, 34" high refrigerated cold pan, 60"W, 28"D, modular, enclosed base, with stainless steel 19-7/8" x 50-1/4" x 8" deep top well, 4-pan size, 1/4 HP, 5.5 amps, NEMA 5-15P, cULus (Refer to vollrathfoodservice.com for full warranty policy)	\$6,406.00	\$6,406.00
				
	1 ea	1 year warranty against defects in materials & workmanship		
	1 ea	STANDARD BLACK Black Laminate, standard, nc		
	1 ea	N37312 NSF2 (2011) Single Deck Classic Cafeteria Breath Guard for 60" ADA Signature units (when ordered as replacement breath guard crating charges are applied) (Refer to vollrathfoodservice.com for full warranty policy)	\$1,261.00	\$1,261.00
	1 ea	NO LIGHT OR HEAT No lights or heating, standard, no charge		
	1 ea	3751350-2-O Operator Side- Plate Rest - with lift-off bracket, ADA 4-Series Signature Server® with Stainless Steel Countertops, 60"W x 7"D (Refer to vollrathfoodservice.com for full warranty policy)	\$609.00	\$609.00
	1 ea	3752350-2-C 4-Series Signature Server® V-rib Tray Slide, for customer side, 60"W x 12"D, fold-down/lift-off brackets (Refer to vollrathfoodservice.com for full warranty policy)	\$735.00	\$735.00
	1 ea	36937-2 Open Storage Module, for 60"W 4-Series Signature Server®, 16-1/2"H opening (opening width depends on unit type), stainless steel (Refer to vollrathfoodservice.com for full warranty policy)	\$959.00	\$959.00
	1 st	SS4CASTERS 4-Series Signature Server® Swivel Casters, 4"H, (2) braked, standard		
			<b>ITEM TOTAL:</b>	<b>\$9,970.00</b>
3	1 ea	<b>CASH REGISTER STAND</b> Vollrath Model No. 37015 4-Series Signature Server® with Stainless Steel Countertops, 34" high ADA Cashier Station, 28"W, 28"D, modular, without cashier drawer, operator side open with stainless steel floor, NSF (Refer to vollrathfoodservice.com for full warranty policy)	\$1,548.00	\$1,548.00
				
	1 ea	1 year warranty against defects in materials & workmanship		
	1 st	SS4CASTERS 4-Series Signature Server® Swivel Casters, 4"H, (2) braked, standard		

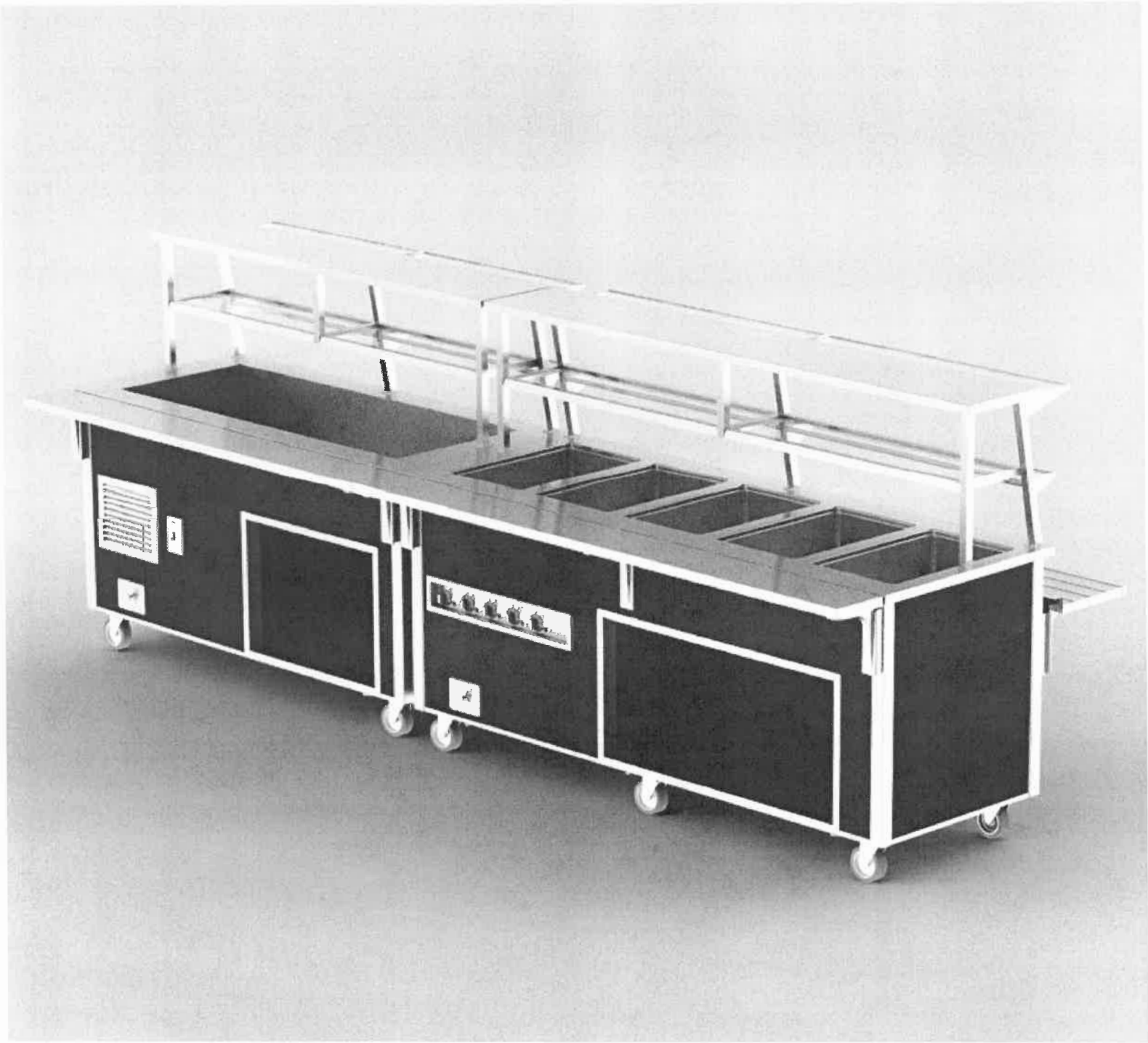
Item	Qty	Description	Sell	Sell Total
	1 ea	STANDARD BLACK Black Laminate, standard, nc		
	1 ea	3752150-2-O 4-Series Signature Server® V-rib Tray Slide, for operator side, 28"W x 12"D, fold-down/lift-off brackets (Refer to vollrathfoodservice.com for full warranty policy)	\$513.00	\$513.00
	1 ea	36945 4-Series Signature Server® Cash Drawer, locking, drawer bell, steel construction, black powder coated finish, includes: ABS plastic removable money tray, with (5) coins & (5) bills capacity, stainless steel bill clips/hold downs, aluminum coin breaking plate (Refer to vollrathfoodservice.com for full warranty policy)	\$661.00	\$661.00
	1 ea	With cord cutouts	\$505.00	\$505.00
			<b>ITEM TOTAL:</b>	<b>\$3,227.00</b>
4	1 ea	<b>CASH REGISTER STAND</b> Vollrath Model No. 37015 4-Series Signature Server® with Stainless Steel Countertops, 34" high ADA Cashier Station, 28"W, 28"D, modular, without cashier drawer, operator side open with stainless steel floor, NSF (Refer to vollrathfoodservice.com for full warranty policy)	\$1,548.00	\$1,548.00
				
	1 ea	1 year warranty against defects in materials & workmanship		
	1 st	SS4CASTERS 4-Series Signature Server® Swivel Casters, 4"H, (2) braked, standard		
	1 ea	STANDARD BLACK Black Laminate, standard, nc		
	1 ea	3752150-2-O 4-Series Signature Server® V-rib Tray Slide, for operator side, 28"W x 12"D, fold-down/lift-off brackets (Refer to vollrathfoodservice.com for full warranty policy)	\$513.00	\$513.00
	1 ea	36945 4-Series Signature Server® Cash Drawer, locking, drawer bell, steel construction, black powder coated finish, includes: ABS plastic removable money tray, with (5) coins & (5) bills capacity, stainless steel bill clips/hold downs, aluminum coin breaking plate (Refer to vollrathfoodservice.com for full warranty policy)	\$661.00	\$661.00
	1 ea	With cord cutouts	\$505.00	\$505.00
			<b>ITEM TOTAL:</b>	<b>\$3,227.00</b>
5	1 ea	<b>LABOR</b> XXXX Model No. LABOR Delivery/Installation/Other	\$3,500.00	\$3,500.00
			<b>ITEM TOTAL:</b>	<b>\$3,500.00</b>
			<b>Total</b>	<b>\$31,363.00</b>

Acceptance: \_\_\_\_\_ Date: \_\_\_\_\_

Printed Name: \_\_\_\_\_

Project Grand Total: \$31,363.00





- APPROVED
- APPROVED AS NOTED

- REVISE AND RESUBMIT
- REJECTED

This drawing must be checked, signed, and returned before fabrication begins. Please verify all dimensions, equipment positions, finishes, breath guard mounting, and clearances.

SIGNATURE \_\_\_\_\_ DATE \_\_\_\_\_

The designs, drawings, renderings, and other documents ("Designs") furnished by The Vollrath Company, L.L.C. ("Vollrath") to you (including anything in electronic format), are owned by Vollrath, its licensors or other providers of those materials and are protected by United States and international copyright, trademark, patent, trade secret, and other intellectual property or proprietary rights laws, as applicable. The Designs may not be duplicated, reproduced, modified, or distributed, without the express written consent of Vollrath. All Designs prepared by Vollrath are provided to you on a confidential basis unless agreed otherwise in writing by Vollrath.

You may not use the Designs for any purpose unless you engage Vollrath to complete the design and construction in accordance with the Design and then only for the purpose of completing the design and construction. It is illegal to reproduce, duplicate, modify, resell, redistribute, lease, loan, or develop derivative work, in whole or in part, from the Designs without the express written consent of Vollrath.

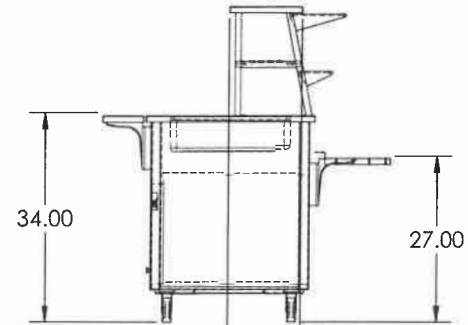
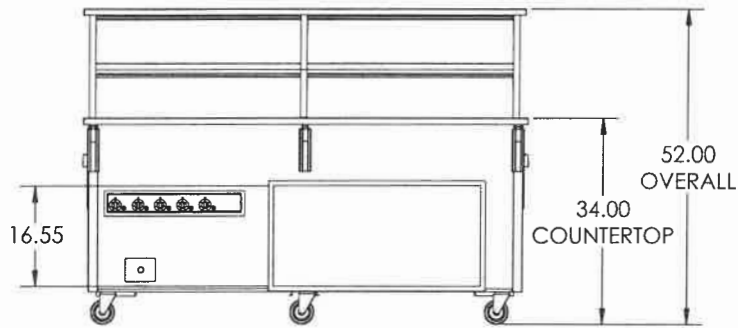
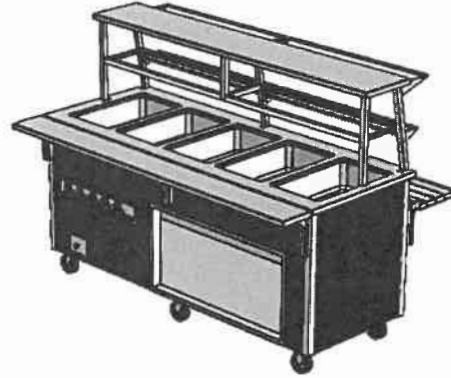
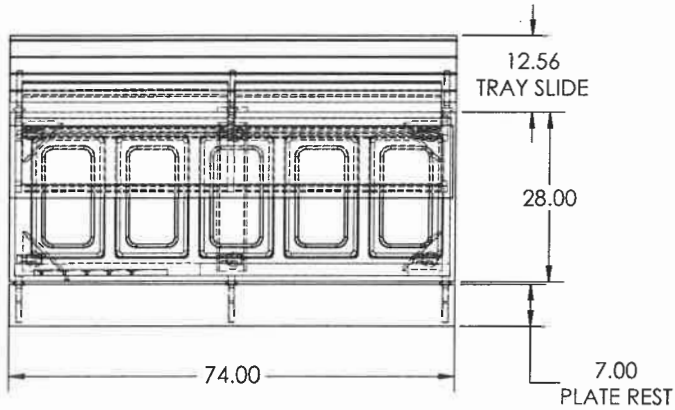


1236 N. 18th Street  
Sheboygan, WI 53081

vollrathfoodservice.com

REVISIONS

NO.	DESCRIPTION	DATE



**RUSSELLVILLE  
ELEM.**

PROJECT NUMBER

C-17743

REFERENCE

DATE

12/7/2023

SCALE

NTS

DESIGNED BY

Johnny Wright

SHEET TITLE

**VOLLRATH  
PLAN, FRONT,  
SIDE**

SHEET NUMBER

1 of 1

EQUIPMENT 1	EQUIPMENT 2	EQUIPMENT 3	BG TYPE	BG ELEC	VOLTS	AMPS	PLUG	BASE FINISH	BASE COLOR
HOT_STEAM 5_WELL	NONE NA	NONE NA	CLASSICS	NONE	208	0	NEMA 6-15P	STANDARD BLACK	NEVAMAR_S6053_JETT_BLACK

- APPROVED
- APPROVED AS NOTED

- REVISE AND RESUBMIT
- REJECTED

This drawing must be checked, signed, and returned before fabrication begins. Please verify all dimensions, equipment positions, finishes, breath guard mounting, and clearances.

SIGNATURE \_\_\_\_\_ DATE \_\_\_\_\_

The designs, drawings, renderings, and other documents ("Designs") furnished by The Vollrath Company, L.L.C. ("Vollrath") to you (including anything in electronic format), are owned by Vollrath, its licensors or other providers of those materials and are protected by United States and international copyright, trademark, patent, trade secret, and other intellectual property or proprietary rights laws, as applicable. The Designs may not be duplicated, reproduced, modified, or distributed, without the express written consent of Vollrath. All Designs prepared by Vollrath are provided to you on a confidential basis unless agreed otherwise in writing by Vollrath.

You may not use the Designs for any purpose unless you engage Vollrath to complete the design and construction in accordance with the Design and then only for the purpose of completing the design and construction. It is illegal to reproduce, duplicate, modify, resell, redistribute, lease, loan, or develop derivative work, in whole or in part, from the Designs without the express written consent of Vollrath.

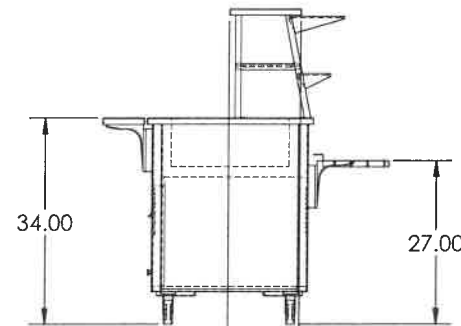
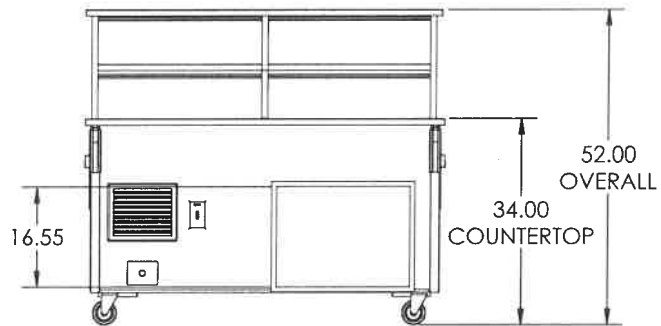
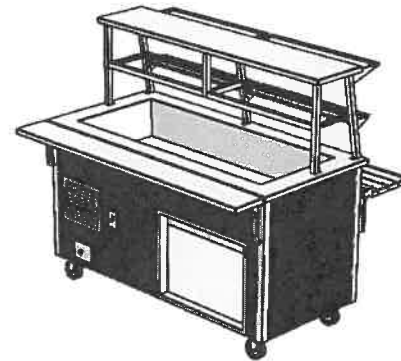
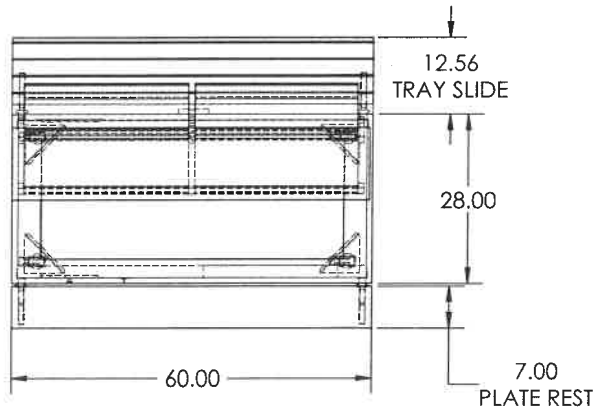


1236 N. 18th Street  
Sheboygan, WI 53081

vollrathfoodservice.com

REVISIONS

DATE	NO.	DESCRIPTION



**RUSSELLVILLE  
ELEM.**

PROJECT NUMBER: <b>C-17743</b>
REFERENCE:
DATE: <b>12/7/2023</b>
SCALE: <b>NTS</b>
DRAWN BY: <b>Johnny Wright</b>
SHEET TITLE: <b>VOLLRATH PLAN, FRONT, SIDE</b>
SHEET NUMBER: <b>1 of 1</b>

EQUIPMENT 1	EQUIPMENT 2	EQUIPMENT 3	BG TYPE	BG ELEC	VOLTS	AMPS	PLUG	BASE FINISH	BASE COLOR
COLD_STD 4_WELL	NONE NA	NONE NA	CLASSICS	NONE	120	7.8	NEMA 5-15P	STANDARD BLACK	NEVAMAR_S6053_JETT_BLACK