

# FACPAC Contract Change Order Supplemental Information Form (Ref# 59519)

Form Status: Saved

Tier 1 Project: Phase 6 Additions and Renovations - Project #175-520

BG Number: 21-042

District: Beechwood Independent (HB678)

Status: Active

Phase: Project Initiation (View Checklist)

Contract: DELTA ELECTRICAL CONTRACTORS, LTD, 0216, ELECTRICAL

Type: CM Bid Package

Proposed

Change Order Number	216-05
Time Extension Required	No
Date Of Change Order	2/27/2024
Change Order Amount To Date	

## Construction Contingency

Calculations below are project wide. Remaining negative Construction Contingency may require the submission of a revised BG1.

Current Approved Amount	\$1,533,894.48
Net Approved COs	\$134,347.24
Remaining After Approved COs	\$1,399,547.24
Net All COs	\$316,159.50
Remaining After All COs	\$1,217,734.98

This Requested Change Order Amount \$4,879.00

+/-

Change In A/E Fee This Change Order \$0.00

+/-

Change In CM Fee This Change Order \$0.00

+/-

Remaining Construction Contingency

Balance

Contract Change Requested By Architect/Engineer; Construction Manager

Contract Change Reason Code Expansion of Scope

Change Order Description And Justification

Additional cost to provide additional lighting at the 2nd level canopy and cupola.

Cost Benefit To Owner

Contract unit prices have been utilized No  
to support the cost associated with this  
change order.

## Detailed Cost Breakdown

Contract unit prices have not been utilized, provide a detailed cost breakdown which separates labor, material, profit and overhead.

---

<b>Detail Item</b>	<b>Amount</b>	<b>Percent of Total</b>
Labor	\$3,158.43	64.74%
Materials	\$955.30	19.58%
Profit and Overhead	\$617.06	12.65%
Bond Insurance	\$148.21	3.04%
<b>Cost Breakdown Total:</b>	<b>\$4,879.00</b>	

Cost for this Change Order supported by an alternate bid or competitive price quote  
Explain Why

# Change Order Supplemental Information Form Signature Page (Online Form Ref# 59519)

---

Architect

---

Date

---

Construction Manager

---

Date

---

Finance Officer

---

Date

---

Local Board of Education Designee

---

Date



# AIA<sup>®</sup> Document G701/CMa<sup>™</sup> – 1992

## Change Order - Construction Manager-Adviser Edition

OWNER   
 CONSTRUCTION MANAGER   
 ARCHITECT   
 CONTRACTOR   
 FIELD   
 OTHER

PROJECT (Name and Address)  
 BEECHWOOD INDEPENDENT SCHOOLS PHASE 6B  
 54 BEECHWOOD ROAD  
 FORT MITCHELL, KY 41017

CHANGE ORDER NUMBER: 216-05  
 INITIATION DATE: 2/27/2024

TO CONTRACTOR (Name and Address)  
 DELTA ELECTRICAL CONTRACTORS

PROJECT NUMBERS: 000744  
 CONTRACT DATE: 5/17/2022  
 CONTRACT FOR: BID PACKAGE #216 ELECTRICAL

THE CONTRACT IS CHANGED AS FOLLOWS: Additional cost to provide additional lighting at the 2nd level canopy and cupola.

The original Contract Sum was	3,579,818.00
Net change by previously authorized Change Orders	37,658.00
The Contract Sum prior to this Change Order was	3,617,476.00
The Contract Sum will be Increased by this Change Order in the amount of	4,879.00
The new Contract Sum including this Change Order will be	3,622,355.00

The Contract Time will be adjusted by 0 days.  
 The date of Substantial Completion as of the date of this Change Order therefore is 4/18/2024.

**NOT VALID UNTIL SIGNED BY THE CONSTRUCTION MANAGER, ARCHITECT, CONTRACTOR AND OWNER.**

CODELL CONSTRUCTION COMPANY  
 \_\_\_\_\_  
 CONSTRUCTION MANAGER (Firm Name)  
 4475 ROCKWELL ROAD WINCHESTER, KY 40391  
 \_\_\_\_\_  
 ADDRESS  
 \_\_\_\_\_  
 BY (Signature)  
 \_\_\_\_\_

(Typed Name) DATE: \_\_\_\_\_

DELTA ELECTRICAL CONTRACTORS  
 \_\_\_\_\_  
 CONTRACTOR (Firm Name)  
 \_\_\_\_\_  
 ADDRESS  
 \_\_\_\_\_  
 BY (Signature)  
 \_\_\_\_\_

(Typed Name) DATE: \_\_\_\_\_

ROBERT EHMET HAYES & ASSOCIATES  
 \_\_\_\_\_  
 ARCHITECT (Firm Name)  
 2512 DIXIE HIGHWAY FORT MITCHELL, KY 41017  
 \_\_\_\_\_  
 ADDRESS  
 \_\_\_\_\_  
 BY (Signature)  
 \_\_\_\_\_

(Typed Name) DATE: \_\_\_\_\_

BEECHWOOD INDEPENDENT SCHOOLS BOARD OF  
 EDUCATION  
 \_\_\_\_\_  
 OWNER (Firm Name)  
 50 BEECHWOOD ROAD FORT MITCHELL, KY 41017  
 \_\_\_\_\_  
 ADDRESS  
 \_\_\_\_\_  
 BY (Signature)  
 \_\_\_\_\_

(Typed Name) DATE: \_\_\_\_\_



**AIA**<sup>®</sup>

# Document G709™ – 2018

## Proposal Request

**PROJECT:** *(name and address)*  
Beechwood Schools - Phase 6B  
Improvements  
54 Beechwood Road  
Fort Mitchell, Kentucky 41017

**CONTRACT INFORMATION:**  
Contract For: Total Project  
  
Date: October 06, 2020  
BG #21-042 / REH #175-520

Architect's Project Number: 175-520  
Proposal Request Number: Thirty (30)  
  
Proposal Request Date: November 7, 2023

**OWNER:** *(name and address)*  
Beechwood Independent Board of  
Education  
50 Beechwood Road  
Fort Mitchell, Kentucky 41017

**ARCHITECT:** *(name and address)*  
Robert Ehmet Hayes & Associates, PLLC  
  
2512 Dixie Highway  
Fort Mitchell, Kentucky 41017

**CONTRACTOR:** *(name and address)*  
Codell Construction Company  
  
4475 Rockwell Road  
Winchester, Kentucky 40391

The Owner requests an itemized proposal for changes to the Contract Sum and Contract Time for proposed modifications to the Contract Documents described herein. The Contractor shall submit this proposal within Zero (0) days or notify the Architect in writing of the anticipated date of submission.  
*(Insert a detailed description of the proposed modifications to the Contract Documents and, if applicable, attach or reference specific exhibits.)*

Additional lighting at the second level canopy and cupola per STW ESI #8 (attached).

**THIS IS NOT A CHANGE ORDER, A CONSTRUCTION CHANGE DIRECTIVE, OR A DIRECTION TO PROCEED WITH THE WORK DESCRIBED IN THE PROPOSED MODIFICATIONS.**

**REQUESTED BY THE ARCHITECT:**

Joseph Ahrens Hayes, Member  
**PRINTED NAME AND TITLE**

## Engineering Supplemental Instruction # 008

Beechwood Independent Phase 6B  
Ft. Mitchell, Ky

Amy Sanders  
Robert Ehmet Hayes & Associates  
2512 Dixie Highway  
Ft. Mitchell, KY 41017

October 31, 2023

RE: Beechwood Second Level Exterior Canopy and Cupola

Amy,

Please review and issue the following for the Beechwood Independent Phase 6B project:

1. Provide a price for adding one Type M light fixture and associated lighting controls to the plan west canopy on sheet E104. Refer to the attached sheet for additional information. The switching power pack, emergency relay, and network bridge shall be located above the nearest concealed accessible ceiling.
2. Provide a price for adding one flood type light fixture and associated lighting controls to the interior of the Cupola. Refer to the attached sheet for additional information. The switching power pack and network bridge shall be located above the nearest concealed accessible ceiling.

Attachments:  
Sheet E104  
PDF SKETCH  
Fixture Cut Sheet

Thanks,

Mayes McFarland

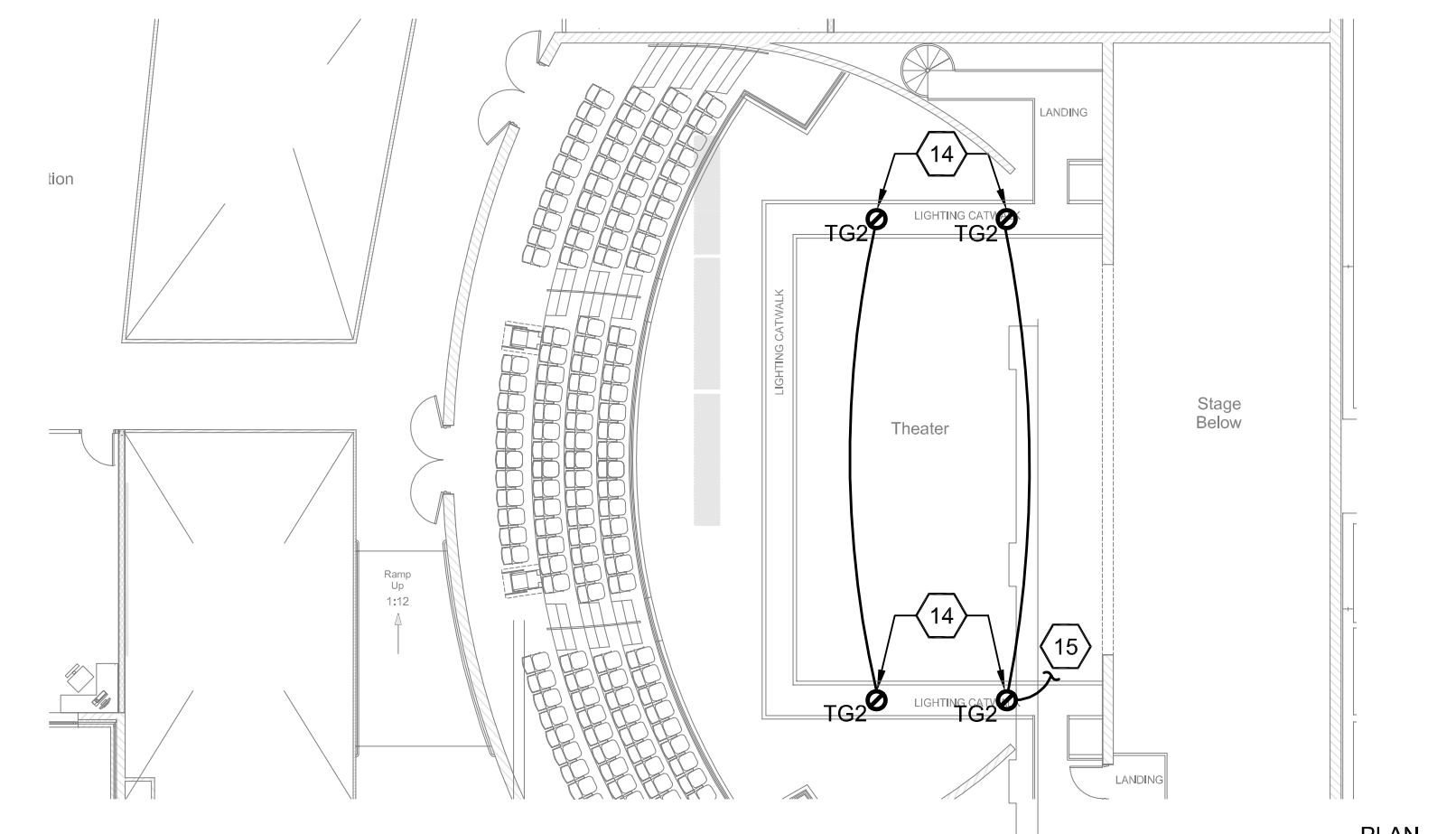
**GENERAL NOTES:**

1. REFER TO SHEET E002 FOR ADDITIONAL GENERAL NOTES.
2. REFER TO POWER DRAWINGS FOR QUANTITIES OF PLUG LOAD CONTROLLER MODULES WHERE PLUG LOAD CONTROL MODULES ARE INDICATED ON THIS DRAWING.
3. ALL LIGHTING CONTROL TAGS THROUGHOUT THIS DRAWING HAVE BEEN UPDATED TO BE COORDINATED WITH LIGHTING CONTROL RISERS AND LIGHTING CONTROL SYSTEM SEGMENT DIAGRAM.

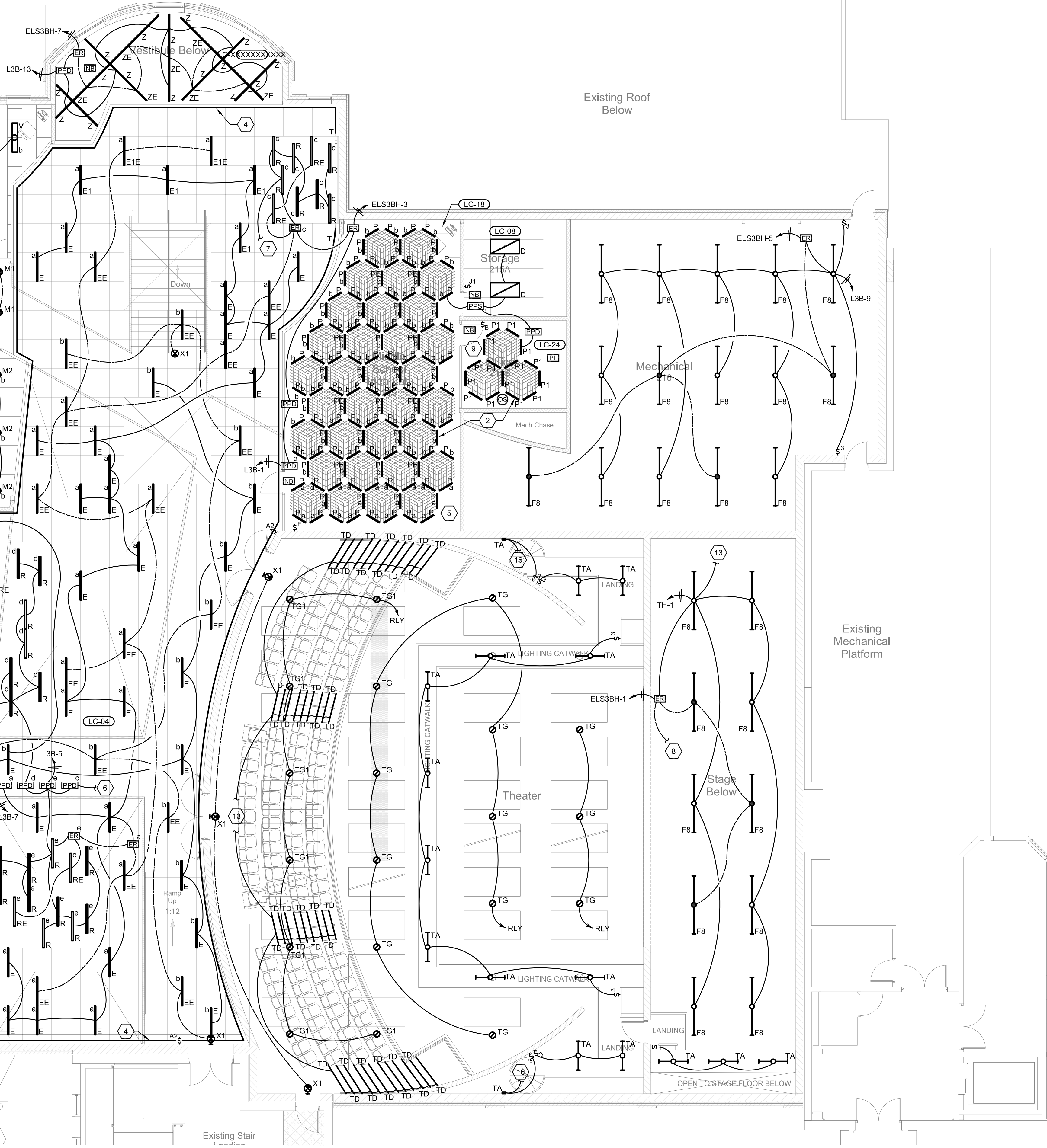
**SHEET KEYNOTES:**

1. SUSPEND TYPE P4P4E FIXTURE FROM STRUCTURE SO THAT THE BOTTOM OF THE FIXTURE IS 3' ABOVE THE BOTTOM OF ACOUSTIC BAFFLES. FIELD CUT AND THREAD STEMS AS REQUIRED.
2. SUSPEND TYPE PIPE FIXTURES FROM STRUCTURE SO THAT THE BOTTOM OF EACH FIXTURE IS FLUSH WITH BOTTOM OF ACOUSTIC CEILING. FIELD CUT AND THREAD STEMS AS REQUIRED. TYPICAL TYPE P AND PE FIXTURES IN THIS ROOM.
3. MOUNT TYPE T FIXTURE ON TOP OF DECORATIVE DRYWALL METAL STUD OPENING TO PROVIDE ACCENT LIGHTING AND CIRCUIT WITH TYPE T FIXTURES IN LOBBY.
4. TYPE T LINEAR TAPE LIGHT SHALL BE MOUNTED INSIDE CAVITY. GRAPHICAL CONTROLLER FOR ALL TYPE T FIXTURES IS LOCATED IN RECEPTION AREA. CIRCUIT ALL TYPE T FIXTURES TO L3B-11. REFER TO SHEET E102.
5. REFER TO LIGHTING CONTROL RISER LC-18 FOR CIRCUITING WITHIN THIS ROOM. CIRCUIT ALL TYPE P FIXTURES TO POWER PACK PPD1a OR PPD1b AS INDICATED. CIRCUIT ALL TYPE PE FIXTURES TO POWER PACK PPD1a VIA 'EP' RELAY. PROVIDE TWO OCCUPANCY SENSORS EVENLY SPACED IN ROOM SUSPENDED TO BE LEVEL WITH BOTTOM OF CEILING. MOUNT AT SPACE CREATED BETWEEN HEXAGON CEILING SHAPES.
6. REFER TO SHEET NOTE #7 FOR CONTINUATION OF CIRCUIT.
7. REFER TO SHEET NOTE #6 FOR CONTINUATION OF CIRCUIT.
8. CIRCUIT CONTINUES TO SERVE STAGE EXIT SIGNS. REFER TO SHEET E101.
9. REFER TO LIGHTING CONTROL RISER LC-09 FOR CIRCUITING WITHIN THIS ROOM. CIRCUIT ALL TYPE P1 FIXTURES TO POWER PACK PPD AS INDICATED.
10. SWITCH FOR CONTROL OF LIGHTING FIXTURES IN CORRIDORS C200, C201, AND C202.
11. SWITCH FOR CONTROL OF LIGHTING FIXTURES IN COLLABORATION CORRIDOR.
12. NETWORK BRIDGE SERVES ZONES a THROUGH i. ZONE IS ON FLOOR BELOW. REFER TO SHEET E102, SHEET NOTE #16.
13. EXTEND TO SWITCHING BELOW FOR CONTROL. REFER TO SHEET E101, SHEET NOTE #2.
14. MOUNT FIXTURE TO BOTTOM SIDE OF CATWALK.
15. REFER TO THEATRICAL DRAWINGS FOR CIRCUITING INFORMATION.
16. CIRCUIT CONTINUES FROM STAIR LIGHTING BELOW.
17. CONNECT TO TRANSFORMER IN CONTROL BOOTH FOR LIGHTING CONTROL.

**2 PARTIAL SECOND LEVEL - LIGHTING**  
SCALE: 1/16"=1'-0"

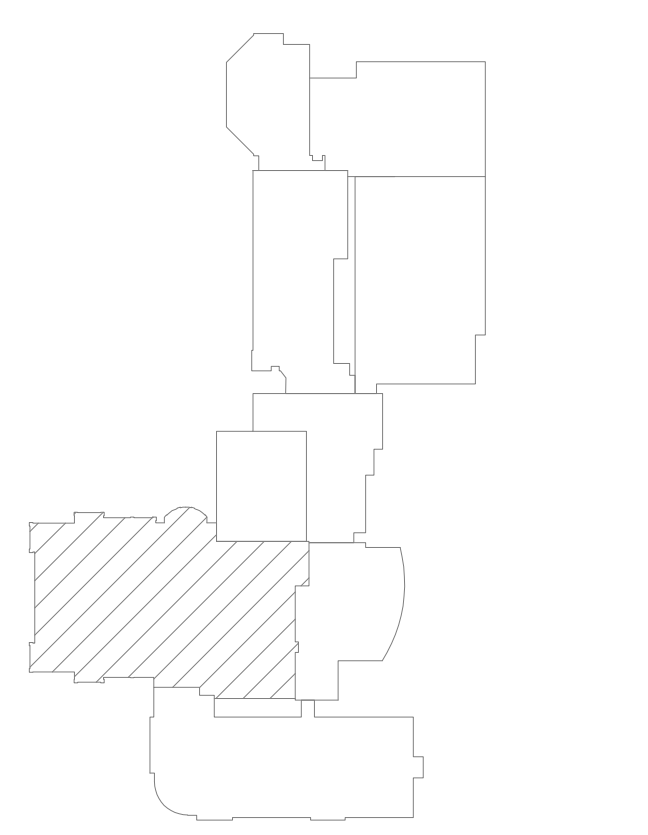


**1 PARTIAL SECOND LEVEL - LIGHTING**  
SCALE: 1/8"=1'-0"



- EST#8 10.31.2023
- ADDENDUM #2 03.15.2022
- ADDENDUM #1 03.08.2022

**KEYPLAN**



Phase 6b - Building Replacement & Renovations  
**Beechwood Elementary School**  
 Beechwood Independent Schools Board of Education  
 Dr. Michael Stacy - Superintendent

SHEET TITLE	PARTIAL SECOND LEVEL - LIGHTING
BID SUBMITTAL	
BG #	19-078
DATE	12/13/2021

**E104**



03/15/2022

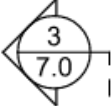
PROVIDE AND ROUTE NEW CIRCUIT THROUGH NEW DEDICATED DIMMING LIGHTING CONTROL POWER PACK AND CONNECT TO NEW LIGHTING CONTROL NETWORK BRIDGE. LIGHTING CONTROL POWER PACK SHALL BE LOCATED ABOVE NEAREST CONCEALED ACCESSIBLE CEILING. PROVIDE POWER FROM THE NEAREST NORMAL POWER LIGHTING CIRCUIT.

NEW SURFACE MOUNTED FLOOD LIGHT AIMED DIRECTLY UP AND CENTERED IN CUPOLA. REFER TO ATTACHED CUT SHEET FOR ADDITIONAL INFORMATION.

3/4" CONDUIT

MINIMUM 4" X 4" NEMA 3R JUNCTION BOX

Relocated cupola from existing building

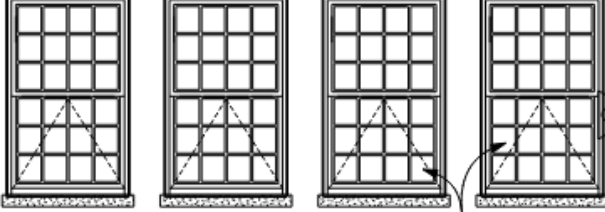


Asphalt shingles with ridge vent, typ.

Prefinished metal siding by cornice mfr.

Soldier course

Fiberglass columns

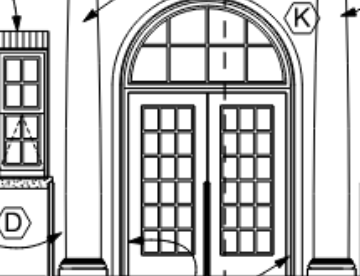


Prefinished metal downspouts

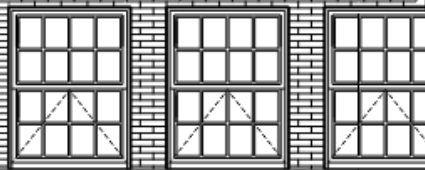
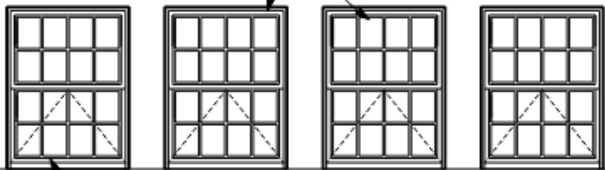
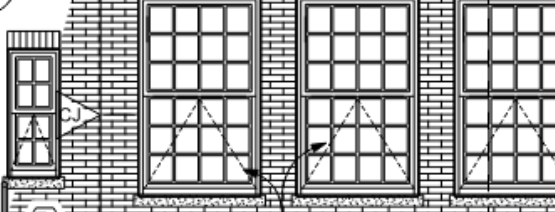
E Typ.

A Typ.

See plan detail for brick piers beyond columns



Brick rowlock around frame



NOT TO SCALE





d<sup>#</sup>series

# D-Series DSXF1 LED Floodlight



Catalog  
Number

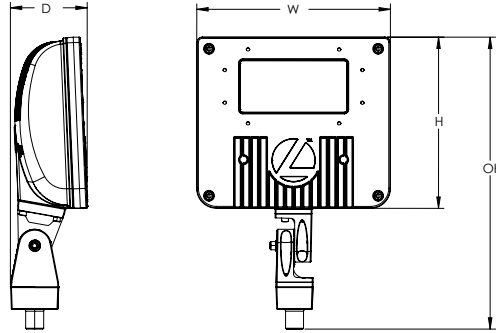
Notes

Type

Hit the Tab key or mouse over the page to see all interactive elements.

## Specifications

<b>EPA:</b>	0.6 ft <sup>2</sup> (0.05 m <sup>2</sup> )
<b>Depth:</b>	3.52" (8.9 cm)
<b>Width:</b>	8.86" (22.5 cm)
<b>Height:</b>	7.84" (19.9 cm)
<b>Overall Height:</b>	13.37" (34.0 cm)
<b>Weight:</b>	7.2 lbs (3.3 kg)



## Introduction

The D-Series floodlights feature a site-wide offering to meet specifier's every floodlighting need in application. The D-Series flood offers three sizes delivering 3,000 to 27,000 lumens. Available with seven precision optics, three mountings and three color temperatures, D-Series floodlights offer vast design capabilities while delivering significant energy savings and long life.

The DSXF1 delivers 3,000 to 5,500 lumens, meeting a large breadth of illumination requirements for design and renovation when replacing 70W to 150W HID floodlights. All configurations are assembled in the USA allowing for quick delivery.

## Ordering Information

**EXAMPLE:** DSXF1 LED P1 40K MSP MVOLT THK DDBXD

DSXF1 LED	Performance Package	Color Temperature	Distribution	Voltage	Mounting
<b>DSXF1 LED</b>	<b>P1</b> P2	30K 3000K <b>40K 4000K</b> 50K 5000K	<b>WFL</b> Wide flood (6X6) FL Flood (5X5) MFL Medium flood (4X4) WFR Wide flood rectangular (6X5) HMF Horizontal medium flood (6X4) MSP Medium spot (4X4) NSP Narrow spot (3X3)	<b>MVOLT</b> 347	<b>Shipped included</b> THK Knuckle with 1/2" NPT threaded pipe <b>IS</b> Integral slipfitter (fits 2-3/8" O.D. tenon) YKC62 Yoke with 2ft 16-3 SO cord

Options	Finish (required)
<b>Shipped installed</b> PE Photocontrol, button style <sup>2</sup> DMG 0-10v dimming wires pulled outside fixture (for use with an external control, ordered separately) SPD10KV Separate surge protection	<b>Shipped separately</b> <sup>3</sup> UBV Upper/bottom visor (universal) FV Full visor VG Vandal guard
	DDBXD Dark bronze DBLXD Black DNAXD Natural aluminum DWHXD White

## Accessories<sup>3</sup>

Ordered and shipped separately.

DSXF1/2TS DDBXD U	Slipfitter for 1-1/4" to 2-3/8" OD tenons; 1/2" THK required (specify finish)
FTS C66 DDBXD U	Slipfitter for 2-3/8" to 2-7/8" OD tenons; YKC62 required (specify finish)
FRWB DDBXD U	Radius wall bracket, 2-3/8" OD tenon (specify finish)
FSPB DDBXD U	Steel square pole bracket, 2-3/8" OD tenon (specify finish)
DSXF1UBV DDBXD U	Upper/bottom visor accessory (specify finish)
DSXF1FV DDBXD U	Full visor accessory (specify finish)
DSXF1VG U	Vandal guard accessory

For more mounting options, visit our [Floodlighting Accessories](#) pages.

## NOTES

- MVOLT driver operates on line voltage from 120-277V.
- Requires MVOLT or 347V (not available in 480V).
- Also available as accessories; see Accessories information at left.



## Mountings



**IS - Adjustable Slipfitter**  
(Fits 2-3/8" O.D. tenon)



**YKC62 - Yoke with 16-3  
SO cord, 2ft**



**THK - Threaded Knuckle with  
1/2" NPT threaded pipe**

## External Shields



**UBV Visor  
Top Mounted**



**UBV Visor  
Bottom Mounted**



**FV - Full Visor**

## Accessories



**VG - Vandal Guard**



**DSXF1/2TS - THK  
Slipfitter Accessory**

## Performance Data

### Lumen Output

Lumen values are from photometric tests performed in accordance with IESNA LM-79-08. Data is considered to be representative of the configurations shown within applicable tolerances. Actual performance may differ as a result of end-user environment and application. Actual wattage may differ by +/- 8% when operating between 120-480V +/- 10%. Contact factory for performance data on any configurations not shown here.

Performance Package	System Watts	Dist. Type	Field Angle		Beam Angle		30K (3000K, 70 CRI)			40K (4000K, 70 CRI)			50K (5000K, 70 CRI)		
			°H	°V	°H	°V	Lumens	LPW	Max Cd	Lumens	LPW	Max Cd	Lumens	LPW	Max Cd
			P1	21W	NSP	37	38	18	19	2,601	124	16,316	2,876	137	18,039
		MSP	51	51	27	28	2,578	123	9,908	2,850	136	10,954	2,850	136	10,954
		MFL	60	60	46	45	2,435	116	4,027	2,692	128	4,452	2,692	128	4,452
		FL	84	91	59	72	2,682	128	2,255	2,965	141	2,494	2,965	141	2,494
		WFL	109	101	86	85	2,766	132	1,494	3,058	146	1,652	3,058	146	1,652
		WFR	103	92	80	71	2,794	133	1,809	3,089	147	2,000	3,089	147	2,000
		HMF	124	63	100	48	2,329	111	2,001	2,575	123	2,212	2,575	123	2,212
P2	42W	NSP	37	38	18	19	4,741	113	29,740	5,242	125	32,881	5,242	125	32,881
		MSP	51	51	27	28	4,699	112	18,060	5,195	124	19,967	5,195	124	19,967
		MFL	60	50	46	45	4,439	106	7,340	4,908	117	8,115	4,908	117	8,115
		FL	84	91	59	72	4,889	116	4,111	5,406	129	4,545	5,405	129	4,545
		WFL	109	101	86	85	4,753	113	2,568	5,573	133	3,011	5,573	133	3,011
		WFR	103	92	80	71	5,094	121	3,297	5,631	134	3,645	5,632	134	3,645
		HMF	124	63	100	48	4,245	101	3,647	4,693	112	4,032	4,693	112	4,032

### Lumen Ambient Temperature (LAT) Multipliers

Use these factors to determine relative lumen output for average ambient temperatures from 0-40°C (32-104°F).

Ambient	
0°C	32°F
10°C	50°F
20°C	68°F
25°C	77°F
30°C	86°F
40°C	104°F

### Projected LED Lumen Maintenance

Data references the extrapolated performance projections for the **DSXF1 LED P2** platform noted in a 25C ambient, based on 10,000 hours of LED testing (tested per IESNA LM-80-08 and projected per IESNA TM-21-11).

To calculate LLF, use the lumen maintenance factor that corresponds to the desired number of operating hours below. For other lumen maintenance values, contact factory.

TM-21 Percent Lumen Maintenance	60,000 hrs
Lumen Maintenance Factor	>88%

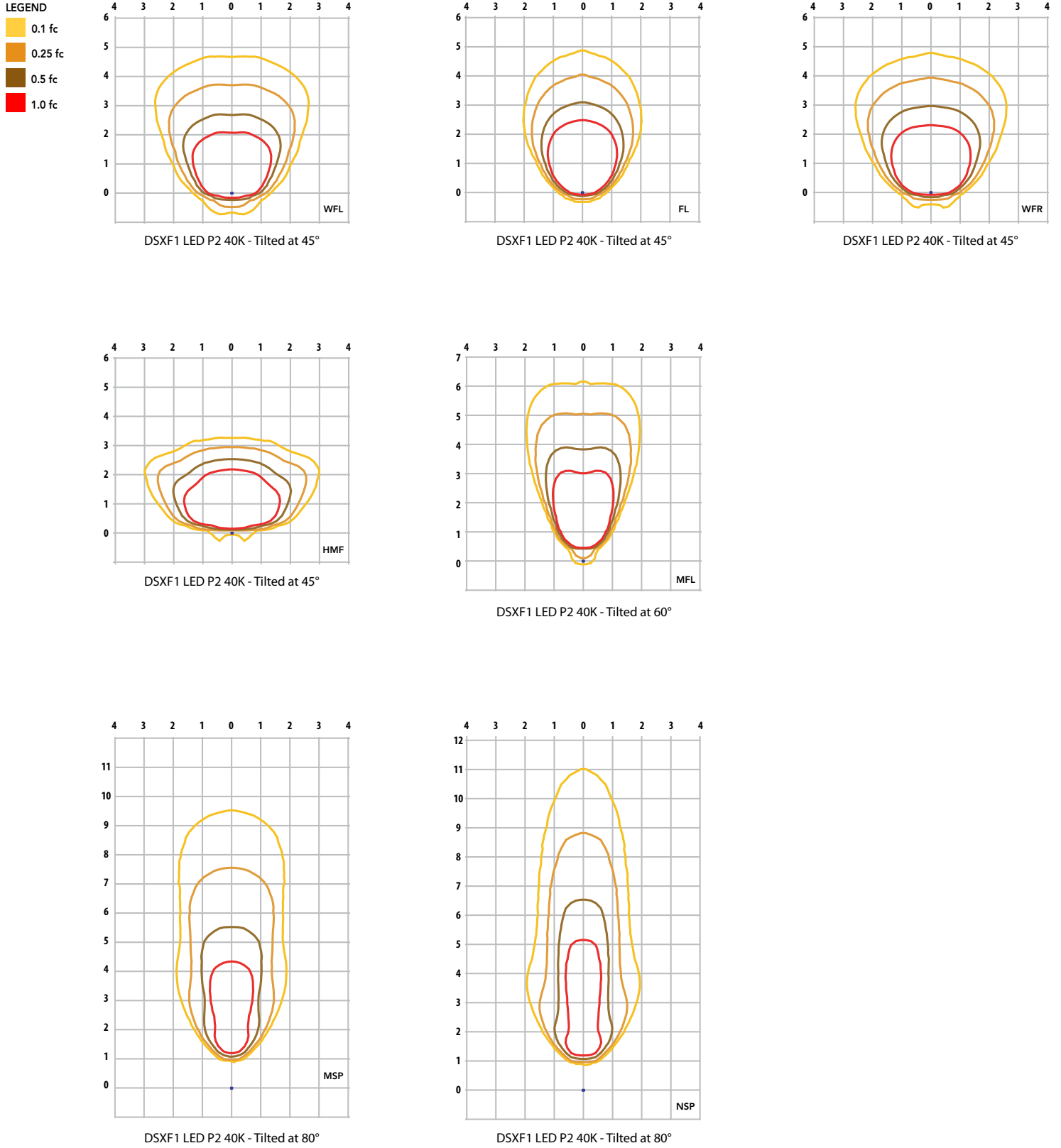
### Electrical Load

Light Engines	System Watts	Current (A)					
		120	208	240	277	347	480
P1	21W	0.18	0.1	0.09	0.08	0.07	-
P2	42W	0.35	0.20	0.18	0.15	0.12	-

# Photometric Diagrams

To see complete photometric reports or download .ies files for this product, visit Lithonia Lighting's [D-Series Flood Size 1 homepage](#).

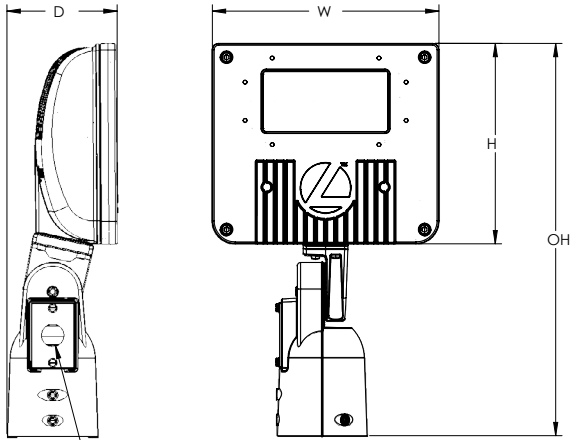
Isofootcandle plots for DSXF1. Distances are in units of mounting height (15ft).



MH = 15ft  
Grid = 15ft x 15ft

## Dimensions

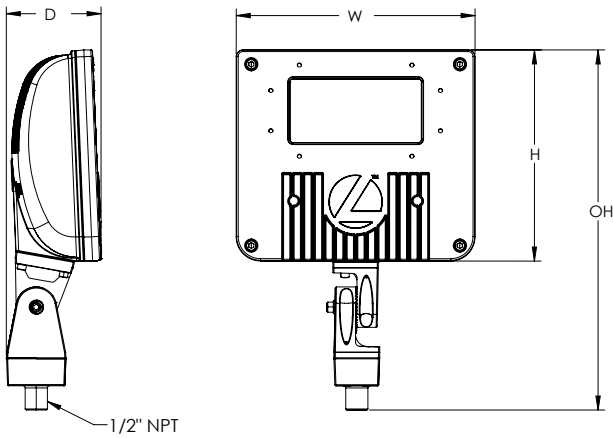
### Adjustable Slipfitter (IS)



Width: 8.86" (22.5 cm)  
 Depth: 4.32" (11.0 cm)  
 Height: 7.84" (19.9 cm) main body  
 Overall: 15.35" (39.0 cm) with arm  
 Weight: 7.7 lbs

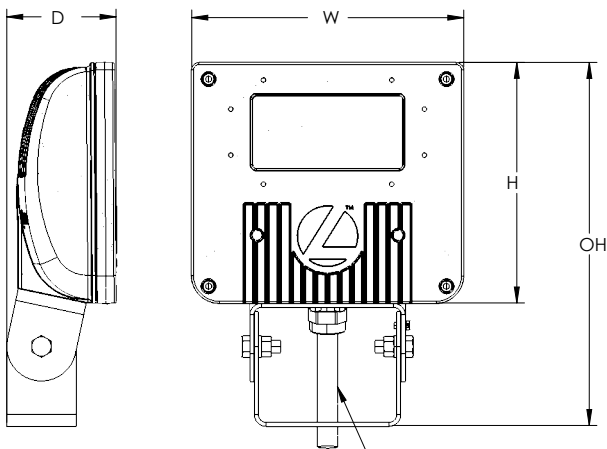
Qty (2) - splice covers included (includes one with 7/8" thru-hole allowing conduit from exterior)

### Threaded Knuckle (THK)



Width: 8.86" (22.5 cm)  
 Depth: 3.52" (8.9 cm)  
 Height: 7.84" (19.9 cm) main body  
 Overall: 13.37" (34.0 cm) with arm  
 Weight: 7.2 lbs

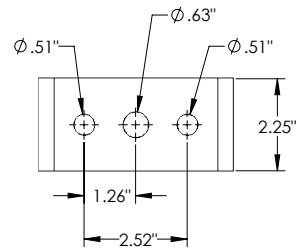
### Yoke (YKC62)



Width: 8.86" (22.5 cm)  
 Depth: 3.56" (9.0 cm)  
 Height: 7.84" (19.9 cm) main body  
 Overall: 11.84" (30.0 cm) with arm  
 Weight: 7.5 lbs

Note: Standard cord is 16-3 wire, 2 ft cord. Other lengths can be specified.  
 Ex: YKC62  
 YK = Yoke Mount  
 C6 = 16 gage, 3 wire cord  
 2 = 2 feet (5 = 5ft, 6 = 6ft, etc.)

### Yoke (YK) Mounting Detail



## Pole Mounting Information

Accessories including bullhorns, cross arms and other adapters are available. For the complete line of accessories available, visit the accessories tab at Lithonia's Outdoor Poles and Arms product page. [Click here to visit Accessories.](#)

### FEATURES & SPECIFICATIONS

#### INTENDED USE

The sleek and compact design of the D-Series floodlights reflects the embedded high performance LED technology while offering a clean aesthetic suitable for specification and general purpose floodlighting applications. Three sizes are available with seven precision optics allowing for maximum design versatility. DSXF1 delivers 3,000 to 5,500 lumens and is ideal for commercial lighting applications including new construction and replacing 70W to 150W HID floodlights. DSXF1 is ideal for security, facade, flagpole, column grazing and signage lighting applications.

#### CONSTRUCTION

The DSXF1 LED floodlight features rugged die-cast aluminum construction with integral heat sink fins that optimize thermal management through conductive and convective cooling. The LED driver is mounted in direct contact with the casting to promote low operating temperature and long life. The housing and lens frame are completely sealed against moisture and environmental contaminants providing an IP66 rating. Low EPA (0.8 ft2) for optimized wind loading. DSXF1 is 1.5G vibration rated per ANSI C136.31.

#### FINISH

Exterior painted parts are protected by a zinc-infused Super Durable TGIC thermoset powder coat finish that provides superior resistance to corrosion and weathering. A tightly controlled multi-stage process ensures a 3 mils thickness for a finish that can withstand extreme climate changes without cracking or peeling. Standard Super Durable colors include dark bronze, black, natural aluminum, and white. Available in textured and non-textured finishes.

#### OPTICS

Seven unique precision-molded vacuum-metallized specular reflectors are engineered for superior field-to-beam ratios, uniformity and spacing. Light engines are available in 3000K, 4000K or 5000K (minimum 70 CRI) configurations. Optional visors offer additional versatility when shielding is required.

#### ELECTRICAL

Light engines consist of chip-on-board (COB) LEDs directly coupled to the housing to maximize heat dissipation and promote long life. LED lumen maintenance is L88/60,000 hours. Class 1 electronic 0-10V continuous dimming drivers ensure system power factor: 90% and THD <20%. Optional 10kV surge protection device meets a minimum Category C low operation (per ANSI/IEEE C62.41.2).

#### CONTROLS

DSXF2 features MVOLT (120-277V) and 347V button photocontrol.

#### INSTALLATION

The die-cast integral "IS" mount features an adjustable slipfitter that mounts on a 2 3/8" OD tenon. Includes integral splice compartment offering easy installation and wiring. An extra cover plate with 7/8" through hole is provided to accommodate 1/2" water-tight fitting for power run from outside of the tenon. The "THK" adjustable knuckle mount includes a 1/2-14 NPT pipe thread. A steel yoke "YK" mount is available and includes a water tight cord grip and cord. DSXF1 features a glass lens enclosure that is protected to IP66 and is rated for lighting aimed up above 90°. Suitable for mounting within 4 feet of ground.

#### LISTINGS

CSA Certified to meet U.S. and Canadian standards. Suitable for wet locations. Rated for -40°C minimum ambient.

DesignLights Consortium® (DLC) Premium qualified product and DLC qualified product. Not all versions of this product may be DLC Premium qualified or DLC qualified. Please check the DLC Qualified Products List at [www.designlights.org/QPL](http://www.designlights.org/QPL) to confirm which versions are qualified.

#### BUY AMERICAN ACT

This product is assembled in the USA and meets the Buy America(n) government procurement requirements under FAR, DFARS and DOT regulations.

Please refer to [www.acuitybrands.com/resources/buy-american](http://www.acuitybrands.com/resources/buy-american) for additional information.

#### WARRANTY

5-year limited warranty. This is the only warranty provided and no other statements in this specification sheet create any warranty of any kind. All other express and implied warranties are disclaimed. Complete warranty terms located at:

[www.acuitybrands.com/support/warranty/terms-and-conditions](http://www.acuitybrands.com/support/warranty/terms-and-conditions)

**Note:** Actual performance may differ as a result of end-user environment and application. All values are design or typical values, measured under laboratory conditions at 25 °C. Specifications subject to change without notice.

Contractor: DELTA Electric  
 Submitted By: Eric Scheidt  
 Date: 12/8/23  
 Project Number: C762



**Beechwood Schools**

**Note: INCLUDE ALL APPROPRIATE BACKUP INVOICES FOR SUBCONTRACTORS AND MATERIALS**

CHANGE PROPOSAL #						
Scope Description: PR #40						
	QTY.	UNIT	RATE		SUBTOTAL	TOTAL
<b>MATERIAL:</b>						
1. SEE ATTACHED	1	E	\$ 880.30	\$	880.30	880.30
2.				\$	-	0.00
3.				\$	-	0.00
4.				\$	-	0.00
5.				\$	-	0.00
6.				\$	-	-
SUBTOTAL:					\$ 880.30	880.30
<b>TOOLS/ EQUIPMENT:</b>						
1. Technology	1		\$ 75.00	\$	75.00	75.00
2.				\$	-	-
3.				\$	-	-
4.				\$	-	-
5.				\$	-	-
6.				\$	-	-
SUBTOTAL:					\$ 75.00	75.00
<b>LABOR:</b>						
1. Straight Time	39.24	HRS @	\$65.00	\$	2,550.60	2,550.60
2. Third Shift	0.00	HRS @	\$82.00	\$	-	0.00
3. Overtime	0.00	HRS @	\$98.00	\$	-	0.00
4. On-Site Supervision	3.92	HRS @	\$75.00	\$	294.30	-
5. Project Manager	1.96	HRS @	\$105.00	\$	206.01	-
6. Safety	0.78	HRS @	\$65.00	\$	51.01	-
7. Material Handling	0.78	HRS @	\$48.00	\$	37.67	-
8. Clean-Up	0.39	HRS @	\$48.00	\$	18.84	-
SUBTOTAL:					\$ 3,158.43	3,158.43
<b>SUB-CONTRACTORS</b>						
1.	1 LS		0	\$	-	0.00
2.	1 LS			\$	-	-
3.	1 LS			\$	-	-
4.	1 LS			\$	-	-
5.	1 LS			\$	-	-
6.	1 LS			\$	-	-
SUBTOTAL:					\$ -	0.00
<b>SUBTOTALS</b>						
MATERIAL/ TOOLS/ EQUIPMENT SUBTOTAL				\$	955.30	
LABOR SUBTOTAL				\$	3,158.43	
SUBCONTRACTOR SUBTOTAL				\$	-	
SUBTOTAL:					\$ 4,113.73	\$ 4,113.73
<b>OVERHEAD AND PROFIT</b>						
				<i>Percentage</i>		
OVERHEAD AND PROFIT MARKUP				15%	\$	617.06
SUBTOTAL:					\$ 617.06	\$ 617.06
<b>TAXES:</b>						
				<i>Percentage</i>		
COMMERCIAL ACTIVITY TAX				6.00%	\$	52.82
BOND:				2.00%	\$	95.67
SUBTOTAL:					\$ 148.49	\$ 148.49
<b>TOTAL COST: \$4,879</b>						

**DELTA Electrical Contractors, LTD**  
**Phone: 513-421-7744 Fax: 513-421-8400**  
**Beechwood Schools Phase 6B : Beechwood 6B - PR6**

**Job Number: CO105-6**  
**Bid Summary: Default**  
**Extension By Section**

Item #	Description	Quantity	Price	U	Ext Price	Labor Hr	U	Ext Lab Hr
--- Section #1 ---								
1144	3/4" Liquidtight (metallic)	50	297.56	C	148.78	7.50	C	3.75
1924	3/4" 90D LT Flex Conn w/Ins Throat	2	1,249.50	C	24.99	0.69	E	1.38
2360	3/4" Conduit Hanger w/Bolt	6	90.00	C	5.63	37.50	C	2.34
2592	4/0 Box (2-1/8"Deep) Comb KO	1	545.42	C	5.45	0.45	E	0.45
2660	#12 THHN CU Stranded Wire	158	204.04	M	32.14	9.00	M	1.42
6176	Misc. Labor	1	0.00	E	0.00	8.00	E	8.00
62130	nLight Power Pack	1	90.00	E	90.00	0.75	E	0.75
62138	Cat 5e x 20' Cable	1	4.80	E	4.80	0.75	E	0.75
62929	Caddy 512 (Ceiling Bar with Clip)	1	1,199.99	C	12.00	0.40	E	0.40
82286	Connect to Existing Circuit	1	30.00	E	30.00	2.00	E	2.00
T0001	Fixture Type M	1	292.51	E	292.51	6.00	E	6.00
T0002	Material Handling / Roof Access	1	0.00	E	0.00	4.00	E	4.00
T0003	Cupola Penetration & Seal	1	90.00	E	90.00	4.00	E	4.00
T0004	Roof Penetration and Seal	1	144.00	E	144.00	4.00	E	4.00
--- Section #1 Total ---					880.30			39.24
Job Total					880.30			39.24