

Furniture, Finishes & Equipment

Phone: (800) 632-4572 | Fax: (269) 795-1189



01/18/2024

TK129151

Quote

To: Russellville Independent School Dist.
#601943
Christina Dowlen
355 South Summer Str.
Russellville, KY 42276
270-726-8405 1014 (Contact)
christina.dowlen@russellville.kyschools.us

From: HPS
Tracy Keeler
3275 N M-37 Highway
Middleville, MI 49333-0247
(800)632-4572 3313 (Contact)
tkeeler@hpsnet.com

Project: Russellville Independent School Dist.
#601943

Item	Qty	Description	Sell	Sell Total
1	1 ea	KETTLE, ELECTRIC, TILTING Groen DEE/4-40C Tilting Kettle, electric, 40-gallon capacity, 2/3 jacket, IPX6 water rated electronic Classic controls, 316 stainless steel liner, crank tilt, floor mounted control console, stainless steel construction, bullet feet, 50 PSI, cULus, NSF, Made in USA	25,312.72	25,312.72
	1 ea	(K-12 School purchases only) Two year parts and labor warranty		
	1 ea	208v/60/3-ph, 21.0kW, 59.0 amps, std.		
	1 ea	2" Tangent draw-off (TDO)	2,317.71	2,317.71
	1 ea	145364 Power-Aid Hinged Cover Kit (No. 51), for DEE-40 & DH-40	2,893.45	2,893.45
	1 ea	N25871 Faucet, single pantry, with 48" spray hose	1,412.28	1,412.28
	1 ea	122891 Pan Carrier, for tilting floor model kettles (not available on DH-20 & DEE-20)	939.88	939.88
Extended Total:				32,876.04

Item	Qty	Description	Sell	Sell Total
2	1 ea	KETTLE, ELECTRIC, TILTING Cleveland Range KEL40T Kettle, electric, tilting, 40-gallon capacity, 2/3 steam jacket design, 316 stainless steel interior, solid state water level control, open tri-leg base, 304 stainless steel construction, flanged feet, 50 psi rating, cover & draw-off optional, IPX6	24,618.13	24,618.13
	1 ea	1-year parts & labor warranty, standard		
	1 ea	Extended Warranty, not to exceed 36 months from date of installation (K-12 Schools only)		
	1 ea	208v/60/3-ph, 14.7kW, 40.9 amps, standard		
	1 ea	Standard Control Panel includes: LED indicator for heat cycle & low water, Power ON/OFF Dial with 1-10 Temperature Dial Setting		
	1 ea	TD2 2" tangent draw-off valve with strainer	1,443.29	1,443.29
	1 ea	CHS40 Spring-assisted cover (40 gallon)	1,755.60	1,755.60
	1 ea	PCK Pan Carrier, for all floor model kettles 25 gal & larger except KDM-25-T	797.41	797.41
	1 ea	SKFK Single Pantry Kettle Filler, with 60" hose	1,280.66	1,280.66
	1 ea	FBKT Faucet Bracket (required for mounting faucet)	230.08	230.08
Extended Total:				30,125.17

Thank you for the opportunity to quote the above item(s). If you have any questions, would like more information or would like to place an order, please contact me at the HPS office.

Freight is included in the Groen pricing only. Liftgate is additional.

CAREFULLY INSPECT YOUR SHIPMENT. ENSURE ALL ITEMS ARE ACCOUNTED FOR AND HAVE NO DAMAGE. When your shipment arrives, it is very important that it be completely inspected before anyone signs the delivery receipt. If any damage is discovered, it must be noted on the delivery receipt. Do not let anyone, even the driver, rush you through your inspections. In the event that there is freight damage, it is crucial that this be noted on the delivery receipt, or any resultant claim will be denied.

NOTE: Invoices paid with credit card are subject to a 3% processing fee.

PRICE INCREASES / AVAILABILITY / LEAD TIMES

This quote is based upon the manufacturer's current published price list.

Freight delays and/or periodic shortages of raw materials and parts due to the worldwide pandemic may result in extended lead times and increased cost after your order is placed, which is out of our control.

HPS cannot be held responsible for any manufacturer cost increases or production delays to orders. We will communicate with you as soon as we are notified should any changes occur.

Acceptance: _____ Date: _____

Printed Name: _____



TILTING FLOOR KETTLE

ELECTRIC MODELS DEE-20/40/60C/A/C2T

Kettle shall be a Groen Model DEE (specify gallon capacity and Classic (C), Advanced (A) or Cook2Temp™ (C2T™) controls) stainless steel floor model, manual tilting, steam jacketed unit, operating with an electric heated steam source contained within unit. CookTemp models also come with a probe.

AVAILABLE MODELS:

CLASSIC CONTROLS:

- DEE-20C (20 GALLON)
- DEE-40C (40 GALLON)
- DEE-60C (60 GALLON)

ADVANCED CONTROLS:

- DEE-20A (20 GALLON)
- DEE-40A (40 GALLON)
- DEE-60A (60 GALLON)

COOK2TEMP CONTROLS:

- DEE-20C2T (20 GALLON)
- DEE-40C2T (40 GALLON)
- DEE-60C2T (60 GALLON)

CONSTRUCTION: Kettle interior shall be of type 316 stainless steel with solid one-piece welded construction. The console and all exposed surfaces shall be stainless steel. The kettle body shall be mounted in a heavy-duty stainless steel combination kettle support tilt trunnion, mounted to a polished stainless steel enclosed base. The base shall be have stainless steel tubular legs with adjustable bullet feet. The enclosed trunnion support shall have a smooth operating, self-locking tilt mechanism, with sanitary, water resistant IPX6-rated enclosure with interior readily accessible for installation or maintenance. The unit shall have a heavy reinforced bar rim with a welded-in butterfly shaped pouring lip for pouring control and durability. Designed for single point electrical connection.

FINISH: Kettle interior shall be polished to a 180 emery grit finish. Exterior of kettle shall be finished to a bright high buff finish, ensuring maximum ease in cleaning and maintaining brilliant appearance.

ASME CODE, UL LISTED, CRN REGISTERED:

Unit shall be ASME shop inspected, stamped and registered with the National Board for operation up to a maximum working pressure of 50 PSI. Unit shall be UL listed for sale in USA and Canada. Unit shall be registered in Canada with a CRN number.

SANITATION: Unit shall be designed and constructed to meet NSF and known health department and sanitation codes, and be NSF listed.

DRAWOFF: A 2" tangent drawoff is optional. If drawoff is specified, outlet shall be equipped with removable 1/4" perforated stainless steel strainer.

SELF-CONTAINED STEAM SOURCE:

Kettle shall have an electrically heated self-contained steam source to provide kettle temperatures of 150°F to approximately 295°F. Unit shall be factory charged with chemically pure water and rust inhibitors to ensure long life and minimum maintenance.

CONTROLS: Controls to be located in right-side water resistant (IPX6-rated) trunnion enclosure: **Classic -C Models** include: Power ON-OFF switch with indicator light, temperature control knob with 1 to 10 increments, HEAT(ing) indicator light and LOW WATER warning light; **Advanced -A Models** include: Same control features as Classic models with the addition of temperature and time set knob, LED display of set heat level or cook time, buttons for reset of Low Temp and High Temp presets, MANUAL mode button for knob-setting of heat level, TIMER-set button with indicator light; **Cook2Temp -C2T Models** include: Same control features as Classic and Advanced models with the addition of Auto C2T and Manual C2T buttons with core probe connection port, MANUAL mode button for knob-setting of heat level for manual cooking and manual C2T cooking.

SAFETY SYSTEMS: Safety systems to include kettle-mounted: pressure-vacuum gauge, pressure relief valve, pressure limit control, water sight glass; plus safety tilt and low-water cutoffs.

PERFORMANCE FEATURES: Unit shall be thermostatically controlled to automatically shut off when the desired temperature setting is reached and turn on when product temperature drops below setting. Smooth action manual tilt crank allows for easy pouring and transfer of kettle contents.

INSTALLATION: Specify 208, 240 or 480 Volt, single or three phase, 50 or 60 cycle electric service.

ORIGIN OF MANUFACTURE: Designed and manufactured in the United States.



PROJECT NAME:	
LOCATION:	
ITEM NO:	
QTY:	
MODEL NO:	
AIA NO:	
SIS NO:	
CSI SECTION:	



DEE-40A Model shown

OPTIONS/ACCESSORIES:

- 2" tangent draw-off valve with 1/4" perforated disk strainer
- 1/8" perforated disk strainer
- 1/4" perforated disk strainer
- Solid disk strainer
- Basket inserts (TRI-BC)
- Lift-off cover (No. 31)
- Hinged cover kit (No. 51)
- Pan carrier (40 and 60-gallon)
- Kettle brush kit
- Single or double pantry faucets
- Lip strainer
- Contour measuring strip
- Gallon etch marks
- Single Phase Terminal Block Kit
- Replacement core probe (on C2T models only)

FLOOR KETTLE
175743 RevF
 Revised 04/19



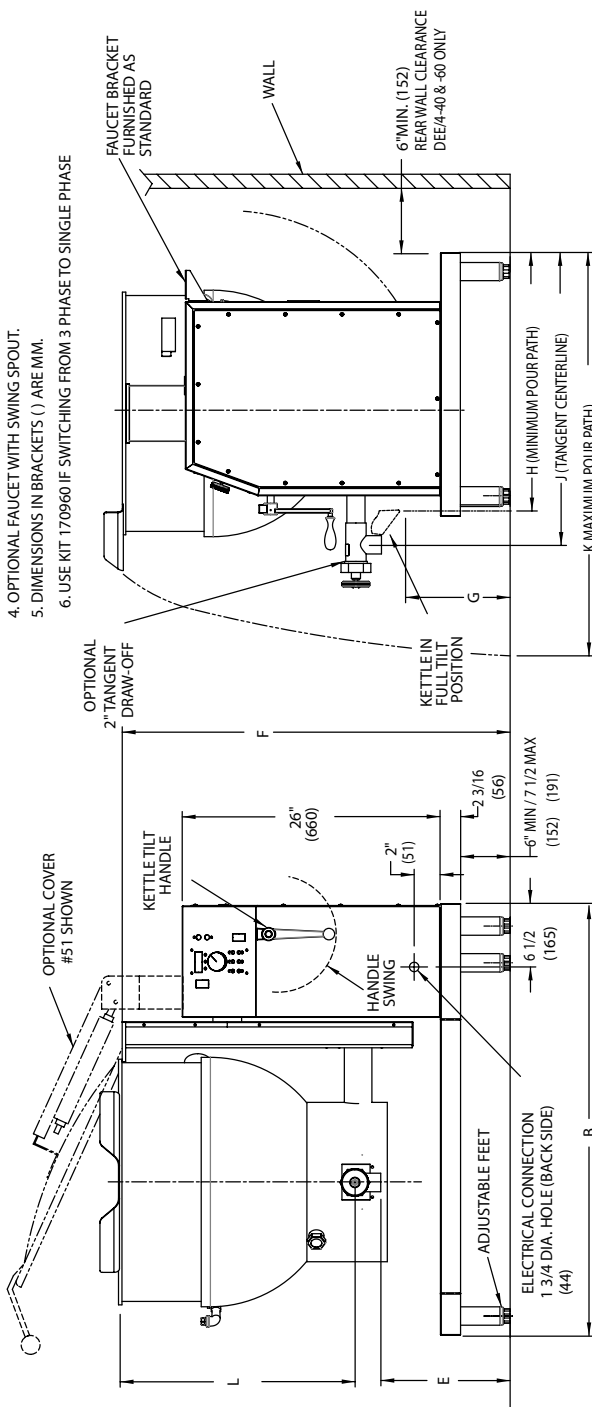
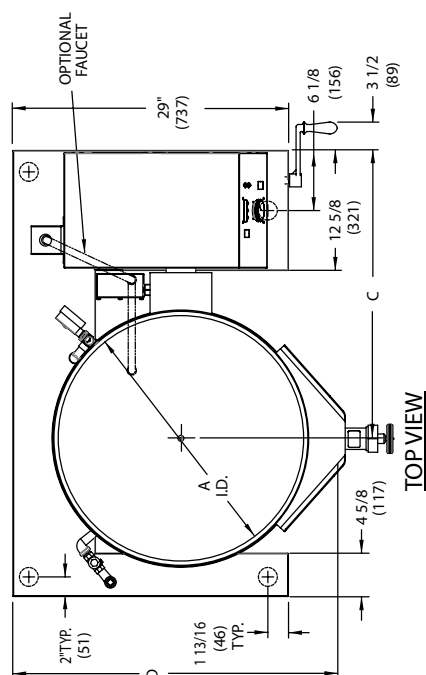
P/N 175852 REV B

CAP. GAL.	TABLE OF DIMENSIONS					
	20		40		60	
DIMS.	INCH	MM	INCH	MM	INCH	MM
A	20	508	26	660	30	762
B	35	889	47	1194	47	1194
C	26	660	29	737	31	787
D	30 3/4	781	34 1/2	876	36 3/8	924
E	18 1/2	470	15 1/4	387	13 1/4	337
F	39 3/8	1000	40 3/8	1026	44 1/8	1121
G	16	406	12 1/4	311	10 3/8	264
H	28	711	29 1/2	749	31 1/2	800
J	28 1/4	718	29 1/2	749	29 1/2	749
K	55	1397	57 1/2	1460	61 1/2	1562
L	18 1/2	470	22	559	25	635

KETTLE POWER ELECTRICAL TABLE			
MODEL	DEE/4-20	DEE/4-40	DEE/4-60
208V	10.8 KW	21 KW	21 KW
1 PH	52 AMP	101 AMP	101 AMP
3 PH	30 AMP	59 AMP	59 AMP
240V	14.4 KW	24 KW	24 KW
1 PH	60 AMP	105 AMP	105 AMP
3 PH	35 AMP	61 AMP	61 AMP
480V	12 KW	24 KW	24 KW
1 PH	25 AMP	50 AMP	50 AMP
3 PH	15 AMP	29 AMP	29 AMP

OPTIONAL EXTRA COST FEATURES:

1. 2" TANGENT SANITARY DRAW-OFF.
2. LIFT OFF COVER MODEL # 31 FOR DEE/4-20 & DEE/4-40 KETTLES.
3. HINGED COVER MODEL # 51 FOR DEE/4-40 & DEE/4-60 KETTLES.
4. OPTIONAL FAUCET WITH SWING SPOUT.
5. DIMENSIONS IN BRACKETS () ARE MM.
6. USE KIT 170960 IF SWITCHING FROM 3 PHASE TO SINGLE PHASE



RIGHT SIDE VIEW

DO NOT SCALE DRAWING

FRONT VIEW



CLASSIC CONTROL



ADVANCED CONTROL



COOK2TEMP CONTROL



TRI-LEG, ELECTRIC KETTLES

TILTING, "SPLASH PROOF SERIES", SELF-CONTAINED, 2/3 STEAM JACKETED, 25, 40, 60, 80 OR 100 GALLONS (100, 150, 225, 300 OR 375 LITERS)

Project _____
 Item _____
 Quantity _____
 FCSI Section 11400 _____
 Approved _____
 Date _____

Models

- KEL-25-T • KEL-60-T • KEL-100-T
- KEL-40-T • KEL-80-T



Shown with standard controls and optional - spring-assisted cover & 2" tangent draw-off valve



Shown with optional - easyDial controls, spring-assisted cover & heat deflection shield

Short Form Specifications

Shall be CLEVELAND, Electric Kettle, leg mounted, self-contained, tilting, Model KEL - _____ - T; _____ gallons, 2/3 Steam Jacketed. Type 316 Stainless Steel Kettle Interior. 50 psi Steam Jacket Rating, 50 psi Safety Valve, Permanently filled Steam Jacket, Combination Pressure/Vacuum Jacket Gauge. Splash Proof Solid State Temperature ($\pm 1^\circ$ C) and Safety Control System in plug-in Module including L.E.D. indicators.

Standard Features

- Self-contained, easily installed - needs only an electrical hook-up
- Steam jacket filled with treated water, venting and/or refilling is not required
- Accurate, consistent solid state temperature controls - less than $\pm 1^\circ$ C variance (ideal for simmering). Operating temperature range from 145° - 260°F (63°C - 127°C)
- **Standard Control Panel includes:**
 - LED indicator for heat cycle
 - LED indicator for low water
 - Power ON/OFF Dial with 1-10 Temperature Dial Setting
- **easyDial Control Panel (optional) includes:**
 - Adjustable Temperature Control (C&F)
 - 99 Minute Adjustable Timer Setting
 - 3 Cooking Models, Cook/Simmer, Cook/On, Cook Off
 - 6-Built In Self Diagnostics & Display Readout
 - Core Temperature Probe (Optional)
- 316 Stainless Steel Kettle Interior
- Water resistant controls, splash-proof construction
- Large pouring lip for high capacity and chunky products
- Re-inforced rolled rim design prevents damage to kettle rim, eliminates "bar rim designs"
- Welded-in heating elements, (holds vacuum better, won't leak or loose water)
- Easily cleaned: kettle and all exterior surfaces are of type 304 stainless steel with an #4 finish
- Rear mounted easy access pressure gauge and pressure relief valve to prevent tampering. Color coded easy to read pressure gauge with "green" and "vent air zone"
- 50 psi steam jacket rating for higher cooking temperatures
- Solid state water level control (no sight glass gauge to break or leak)
- Splash proof element cover with a double gasket seal
- Tilt mechanism of roller bearings and case hardened self-locking worm and segment gear
- 1 5/8" O.D. tri-leg supports with level adjustable feet for floor bolting
- Standard voltage is 208-240 volts, 60 Hz, 3-phase, 3-wire
- Typical approvals include UL., CSA, CE, NSF and ASME

Options & Accessories

- easyDial Control
- Core Temperature Probe Option
- Spring-assisted, hinged, rotatable, domed Stainless Steel Cover (CHS)
- 2" or 3" diameter Tangent Draw-Off Valve (TD2 or TD3*), *TD3 for 60 gallon only and will raise height of kettle by 5-5/8" (143mm)
- Hot and Cold Water Faucet with Swing Spout and Mounting Bracket (DPK and FBKT)
- Pan Carrier (PCK) • Flow Diverter (FD) • Food Strainers (FS)
- Cooking Baskets and Tri-Basket Supports (BS and TBS)
- Kettle Accessory Kit (KAK) includes:
 - Clean-up Brush (CB)
 - 36" Kettle Paddle (KP)
 - 36" Kettle Whip (KW)
 - 36" Kettle Brush
 - Draw-Off Brush (DB)
 - 24 oz. Ladle (KL)
- Drain Strainers (DS) • Measuring Strip (MS) • Gallon Markings (KM)
- Hot and cold or cold only Kettle Filler with 60" Hose (DKF-K or SKF-K)
- Swing Funnels for drain (SF)
- High Wattage (HW) & Special Voltages (see back page)
- Heat Deflector Shield (HS001)
- Correctional Packages

KE004046-61

760 Beta Drive, Unit D
 Mayfield Village, Ohio 44143

Tel 1.216.481.4900
 Fax 1.216.481.3782
 Email steam@clevelandrange.com

www.clevelandrange.com
 Section 5, Page 9
 5629A 02 / 2021



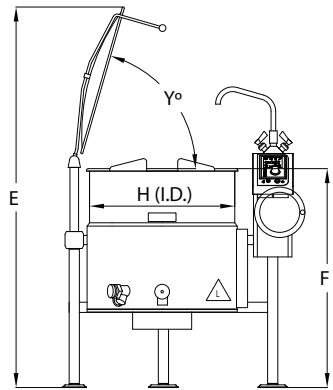
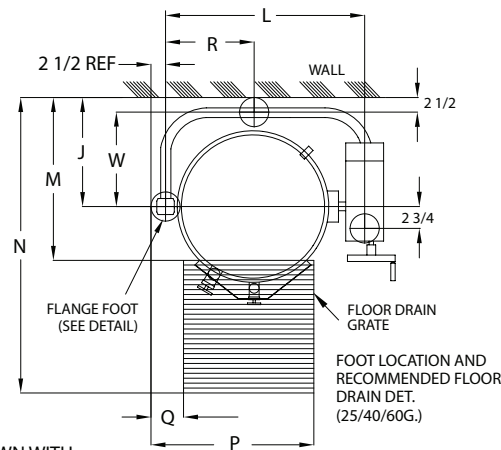
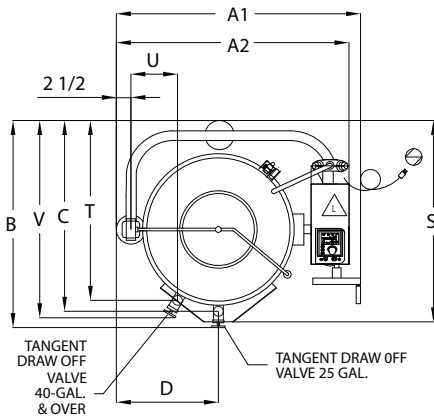


MODEL	VALVE	A1	A2	B	C	D	E	F	G	H	J	K	L	M	N	P	Q	R	S	T	U	V	W	X	Y°	Z
KEL-25-T	NO TD	36.5	34.25	N/A	N/A	N/A	62.75	37.5	N/A	21	17	14.38	28.75	22.25	51.75	26.25	4.75	14.38	31	N/A	N/A	N/A	14.5	N/A	100	41.13
	TD-2			33.75	29.88	15.5			14.63																	41.5
KEL-40-T	NO TD	41.5	39.38	N/A	N/A	N/A	68.5	39.5	N/A	26	20	16.94	33.75	26	56	30.38	3	16.83	37.75	N/A	N/A	N/A	17.5	N/A		42.5
	TD-2								14.63																	
KEL-60-T	NO TD	45	42.88	N/A	N/A	N/A	75.75	44.5	N/A	29.5	21.5	18.68	37.25	29.75	62.5	33.5	4	18.56	41.13	N/A	N/A	N/A	19	N/A	70	46.88
	TD-2								16.13																	
KEL-80-T	NO TD	48.5	54.13	N/A	N/A	N/A	84	47.63	N/A	33	24.25	N/A	11.38	32.5	67.38	36.63	5	N/A	48	N/A	N/A	N/A	21.5	40.75		52.13
	TD-2								17																	
KEL-100-T	NO TD	51	56.63	N/A	N/A	N/A	89.88	48.88	N/A	35.5	25.5	N/A	11 5/8	36	71.25	38.75	5.5	N/A	49.5	N/A	N/A	N/A	22.88	43.25		53.38
	TD-2								16.25																	
	TD-3								15.5																	

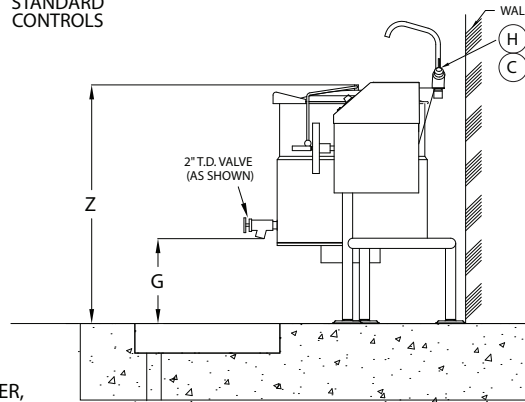
LEGEND: ALL DIMENSIONS SHOWN IN INCHES

TD-2 = 2" TANGENT DRAW-OFF VALVE
TD-3 = 3" TANGENT DRAW-OFF VALVE

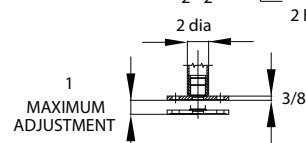
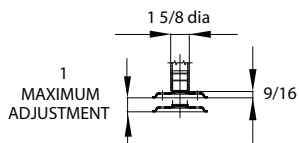
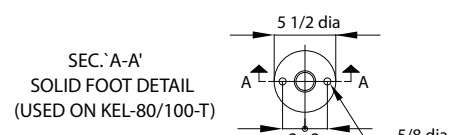
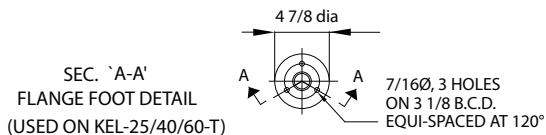
(H) HOT WATER: } PIPING: 1/2" NPT (DOUBLE)
(C) COLD WATER: } PIPING: 3/8" COPPER TUBE (SINGLE)
(When ordered with optional faucet)



SHOWN WITH STANDARD CONTROLS



DRAWING FOR 25, 40 AND 60 GALLON KETTLE
KETTLE SHOWN WITH OPTIONAL SPRING ASSIST COVER,
WATER FAUCET AND T.D. VALVE



NOTE:
ALL VERTICAL DIMENSIONS SHOWN
ARE MINIMUM. FEET ARE
ADJUSTABLE TO 1" MAXIMUM
WARNING:
TO PREVENT INJURY KETTLE
MUST BE BOLTED TO FLOOR.

NOTES:
Cleveland Range reserves right of design improvement or modification, as warranted.
Many regional, state and local codes exist and it is the responsibility of the owner and installer to comply with the codes.
Cleveland Range equipment is built to comply with applicable standards for manufacturers. Included among those approval agencies are U.L./NSF#4 and CSA (AGA, CGA).

(NOT TO SCALE)

Electric Kettles

760 Beta Drive, Unit D
Mayfield Village, Ohio 44143

Tel 1.216.481.4900
Fax 1.216.481.3782
Email steam@clevelandrange.com

www.clevelandrange.com
Section 5, Page 10
02 / 2021



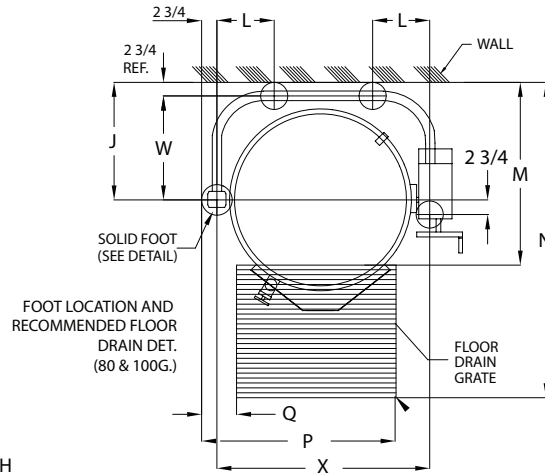
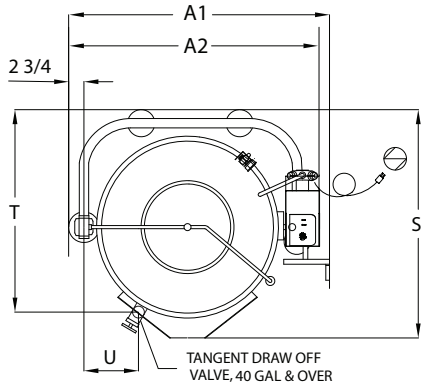


STANDARD WATTAGE

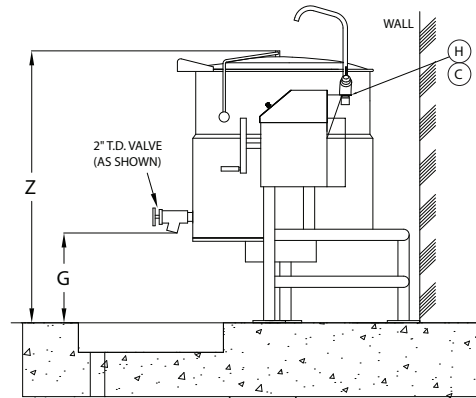
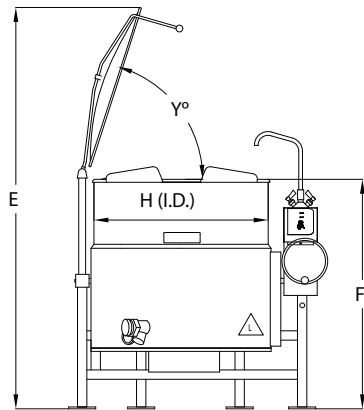
GALS. LITERS	208V			240V			415V			480V		
	KW	1PH	3PH	KW	1PH	3PH	KW	1PH	3PH	KW	1PH	3PH
25 100	9.8	47.2	27.2	13.1	54.4	31.4	12.1	29.0	16.7	13.1	27.2	15.7
40 150	14.7	70.8	40.9	19.6	81.7	47.1	18.1	43.5	25.1	19.6	40.8	23.6
60 225	14.7	70.8	40.9	19.6	81.7	47.1	18.1	43.5	25.1	19.6	40.8	23.6
80 300	14.7	70.8	40.9	19.6	81.7	47.1	18.1	43.5	25.1	19.6	40.8	23.6
80 375	14.7	70.8	40.9	19.6	81.7	47.1	18.1	43.5	25.1	19.6	40.8	23.6

HIGH WATTAGE

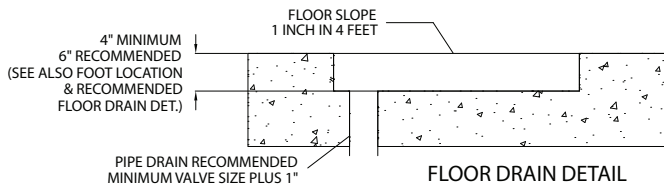
GALS. LITERS	208V			240V			415V			480V		
	KW	1PH	3PH	KW	1PH	3PH	KW	1PH	3PH	KW	1PH	3PH
25 100	14.7	70.8	40.9	19.6	81.7	47.1	18.1	43.5	25.1	19.6	40.8	23.6
40 150	24.5	NA	68.1	32.7	NA	78.6	30.1	72.5	41.8	32.7	68.1	39.3
60 225	29.4	NA	81.7	39.2	NA	94.3	36.2	87.0	50.2	39.2	81.7	47.1
80 300	29.4	NA	81.7	39.2	NA	94.3	36.2	87.0	50.2	39.2	81.7	47.1
100 375	29.4	NA	81.7	39.2	NA	94.3	36.2	87.0	50.2	39.2	81.7	47.1



SHOWN WITH OPTIONAL EASYDIAL CONTROLS

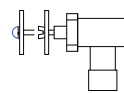


DRAWING FOR KETTLES 80 & 100 GALLON
KETTLE SHOWN WITH OPTIONAL SPRING ASSIST COVER, WATER FAUCET AND T.D. VALVE.



T.D. VALVE OPTIONS

FOR VALVES WITH ACME THREADS (TD-2A, TD-3A) AND NPT THREADS (TD-2N, TD-3N) REDUCE CLEARANCE BETWEEN VALVE OPENING AND FLOOR BY AMOUNT SHOWN.



VALVE	CLEARANCE REDUCTION
TD-2N	1 3/4
TD-3N	2 1/2
TD-2A	1/2
TD-3A	1 3/4

NOTES:

Cleveland Range reserves right of design improvement or modification, as warranted. Many regional, state and local codes exist and it is the responsibility of the owner and installer to comply with the codes. Cleveland Range equipment is built to comply with applicable standards for manufacturers. Included among those approval agencies are U.L./NSF#4 and CSA (AGA, CGA).

(NOT TO SCALE)

Electric Kettles

760 Beta Drive, Unit D
Mayfield Village, Ohio 44143

Tel 1.216.481.4900
Fax 1.216.481.3782
Email steam@clevelandrange.com

www.clevelandrange.com
Section 5, Page 11
02 / 2021





CAPACITIES: (in 8 oz. servings, other sizes may be calculated)

- 25 Gallon / 100 liters ... 400 servings
- 40 Gallon / 150 liters ... 640 servings
- 60 Gallon / 225 liters ... 960 servings
- 80 Gallon / 300 liters ... 1280 servings
- 100 Gallon / 375 liters ... 1600 servings

SHIPPING WEIGHTS & CLEARANCES:

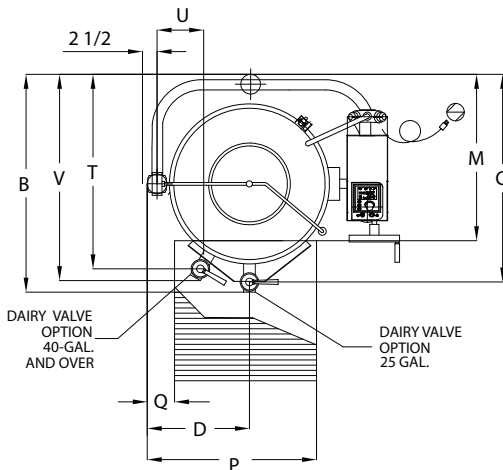
MODEL	SHIPPING WEIGHT (LBS)	CLEARANCE:
KEL-25-T	290	RIGHT: ALLOW 12" SPACE MINIMUM ON RIGHT SIDE
KEL-40-T	360	FOR SERVICE LEFT: 0 INCHES REAR: 0 INCHES
KEL-60-T	415	
KEL-80-T	470	
KEL-100-T	520	



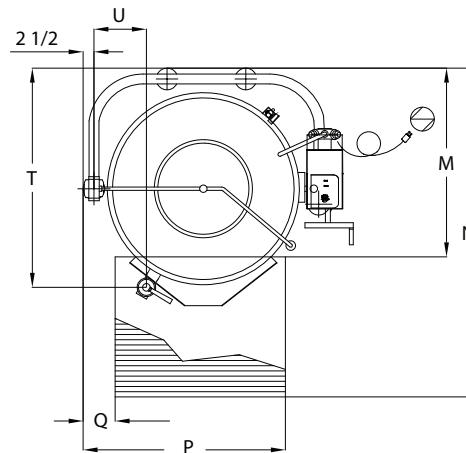
Standard Controls



EasyDial Controls



RECOMMENDED FLOOR DRAIN DETAIL FOR 25, 40 AND 60 GALLON KETTLES WITH DAIRY VALVE OPTION



RECOMMENDED FLOOR DRAIN DETAIL FOR 80 AND 100 GALLON KETTLES WITH DAIRY VALVE OPTION

Electric Kettles

NOTES:

Cleveland Range reserves right of design improvement or modification, as warranted. Many regional, state and local codes exist and it is the responsibility of the owner and installer to comply with the codes. Cleveland Range equipment is built to comply with applicable standards for manufacturers. Included among those approval agencies are U.L./NSF#4 and CSA (AGA, CGA).

(NOT TO SCALE)

760 Beta Drive, Unit D
Mayfield Village, Ohio 44143

Tel 1.216.481.4900
Fax 1.216.481.3782
Email steam@clevelandrange.com

www.clevelandrange.com
Section 5, Page 12
02 / 2021

